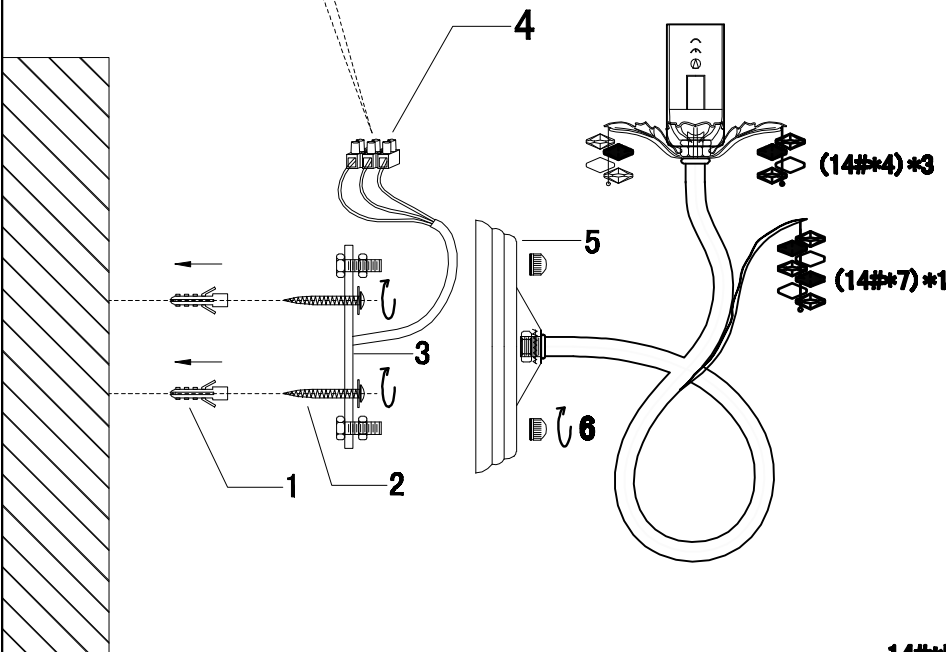
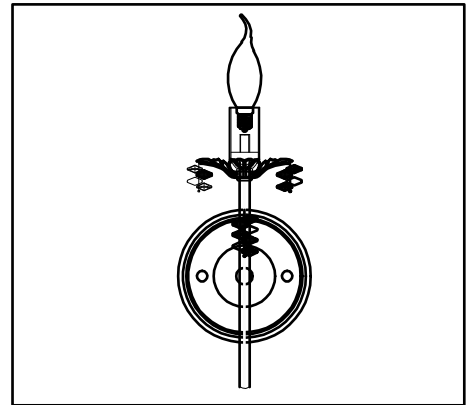
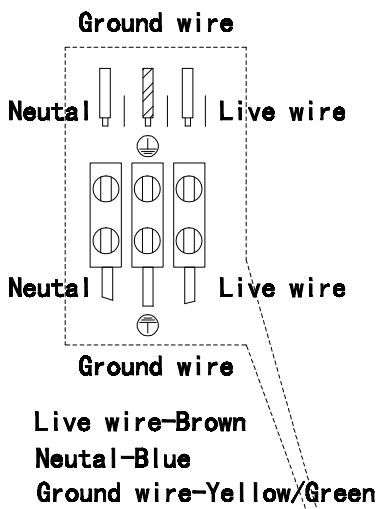


ENGLISH

Specification of installation

In order to ensure safety use, please notice the following items:

- Read and understand the whole Specification.
- Suitable for the use of 220-240V and 50-60Hz.
- Please wear gloves as installment and avoid rot on the surface of plating.
- Must be installed on the fixed places and be checked annually.
- Please turn off the lighting source by soft cloth as cleaning prohibited to use of rotted detergent.
- Please connect with the local sales service center when there are any abnormality.

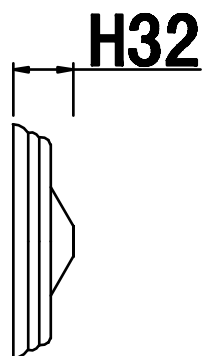
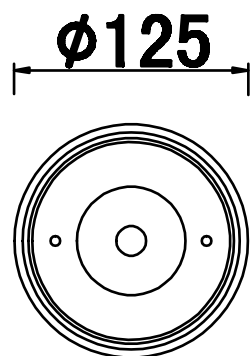


- 1 Wall anchor
- 2 Self-tapping screw
- 3 Mounting
- 4 Terminal
- 5 Wall socket
- 6 Round nuts
- 7 E14 bulb

- 14#*5pcs 8 Crystal
- 14#*5pcs 9 Crystal
- 14#*9pcs 10 Crystal

Product coding:CRISTINA AP1 WHITE

BASE SIZE:



FIXTURE SIZE:

