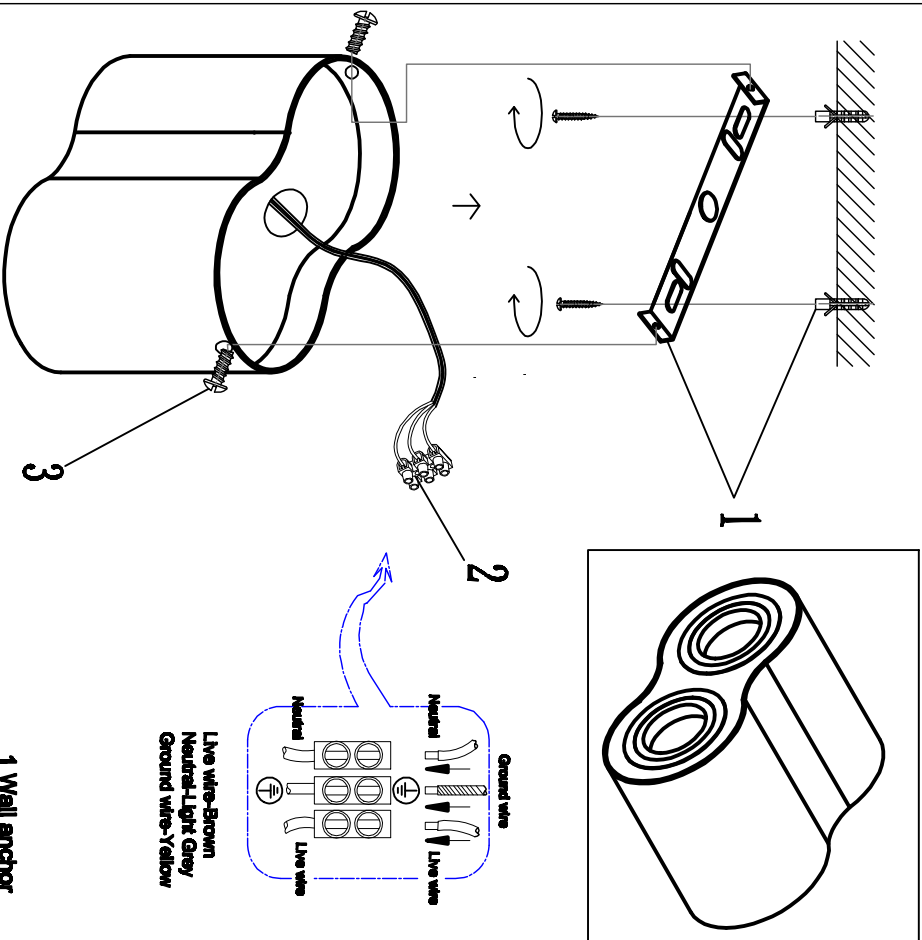


ENGLISH

Specification of installation

In order to ensure safety use, please notice the following items:

- Read and understand the whole Specification.
- Suitable for the use of 220~240V and 50~60Hz.
- Please wear gloves as hatching and avoid nit on the surface of painting.
- Must be installed on the fixed phase and be checked annually.
- Please turn off the lighting source by soft cloth as cleaning prohibited to use of rotted detergent.
- Please connect with the local sales service center when there and any abnormally.



- 1 Wall anchor
- 2 Terminal
- 3 Nut

Product coding: CLT 410C2 WH
CLT 410C2 BL

CEILING PAN SIZE:

H 16
W 165
E 20
L 186

FIGURE SIZE:

D 96
H 127