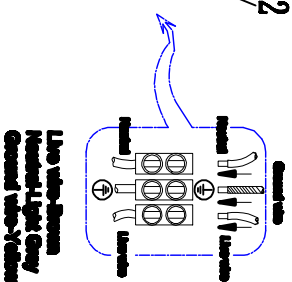
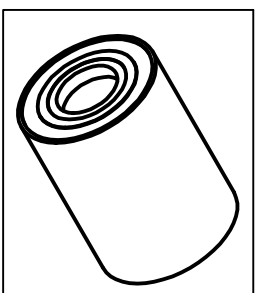
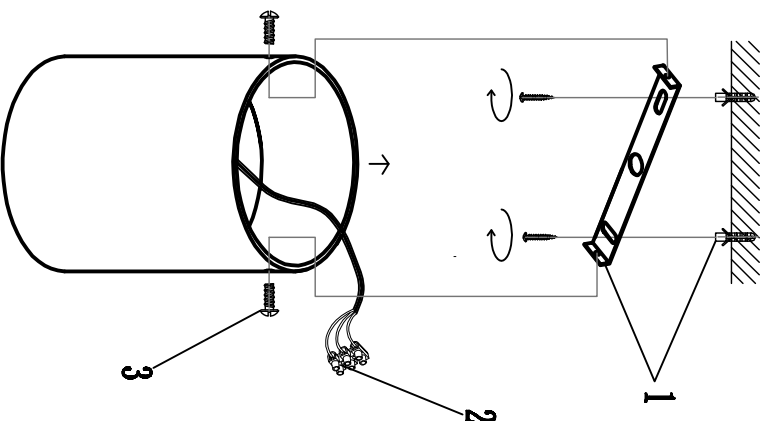


ENGLISH

Specifications of installation

In order to ensure safety use, please notice the following items:

- Read and understand the whole Specifications.
- Suitable for the use of 220-240V and 50-60Hz.
- Please wear gloves on installation and avoid not on the surface of painting.
- Must be installed on the fixed fixture and be checked carefully.
- Please turn off the lighting system by soft switch as described prohibited to use of remote controller.
- Please connect with the local electric service center when there are any abnormality.



- 1 Well anchor
- 2 Terminal
- 3 Nut

Product coding: CLT 410G1 WH
CLT 410G1 BL

CEILING PAN SIZE:

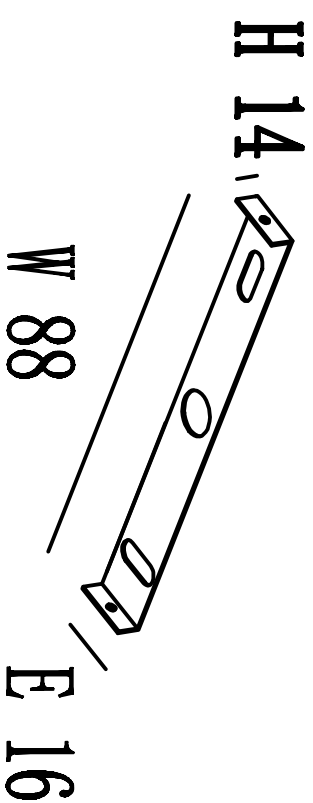


FIGURE SIZE:

