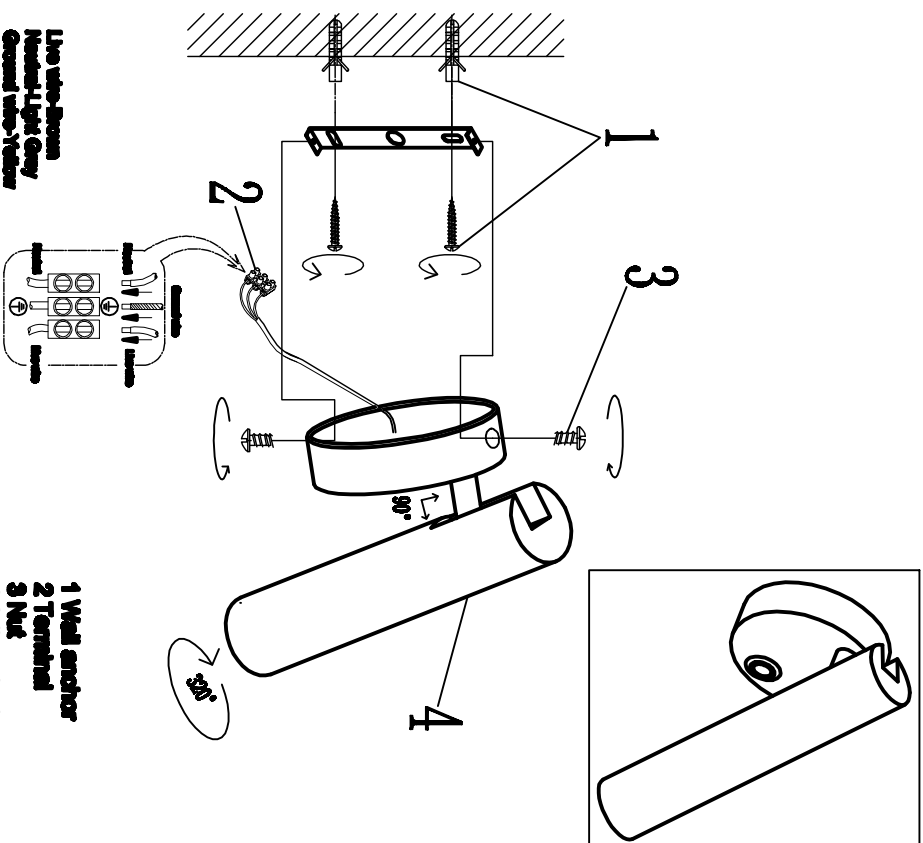


ENGLISH

Specification of installation

In order to ensure safety use, please notice the following items:

- Read and understand the whole Specification.
- Suitable for the use of 220-240V and 50-60Hz.
- Please wear gloves as precaution and avoid not on the surface of painting.
- Must be installed on the fixed phase and be checked assembly.
- Please firm off the lighting source by soft cloth as described prohibited to use of retinal statement.
- Please connect with the load within service center when there and any abnormality.



Product coding: CLT 211W WH
CLT 211W BL
CLT 211W COP

CEILING PAN SIZE:

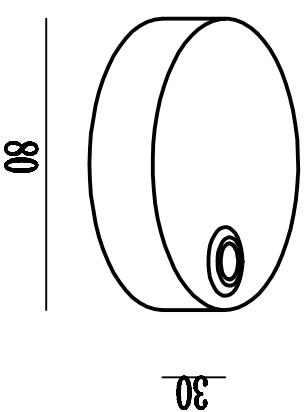


FIGURE SIZE:

