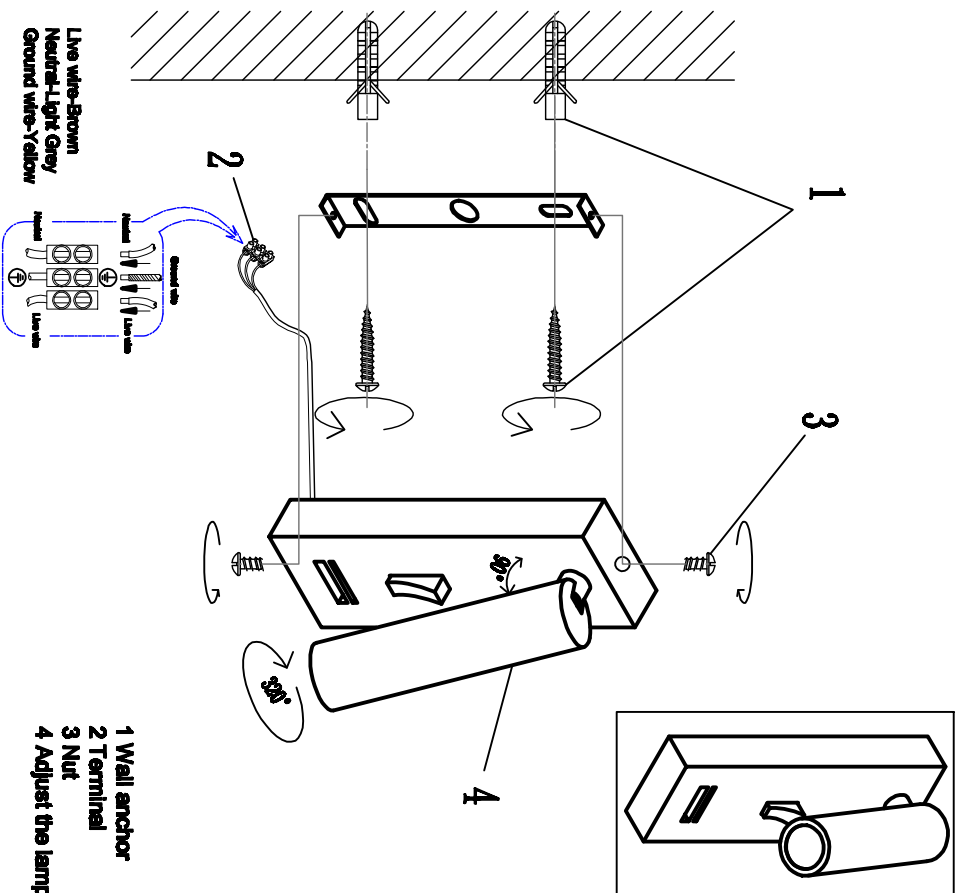


ENGLISH

Specification of installation

In order to ensure safety use, please notice the following items:

- Read and understand the whole Specification.
- Suitable for the use of 220-240V and 50-60Hz.
- Please wear gloves as installment and avoid risk on the surface of painting.
- Must be installed on the fixed phase and be checked annually.
- Please turn off the lighting source by soft cloth as cleaning prohibited to use of retted detergent.
- Please connect with the local sales service center when there are any abnormality.



- 1 Wall anchor
- 2 Terminal
- 3 Nut
- 4 Adjust the lamp

Product coding: CLT 210W USB WH
 CLT 210W USB BL
 CLT 210W USB CH

CEILING PAN SIZE:

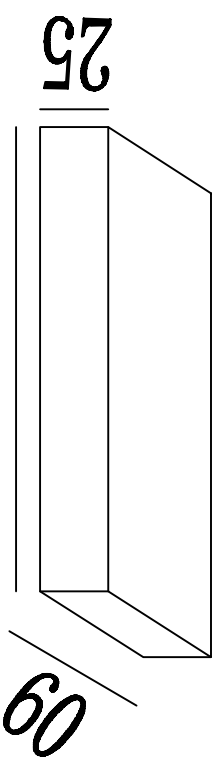


FIGURE SIZE:

