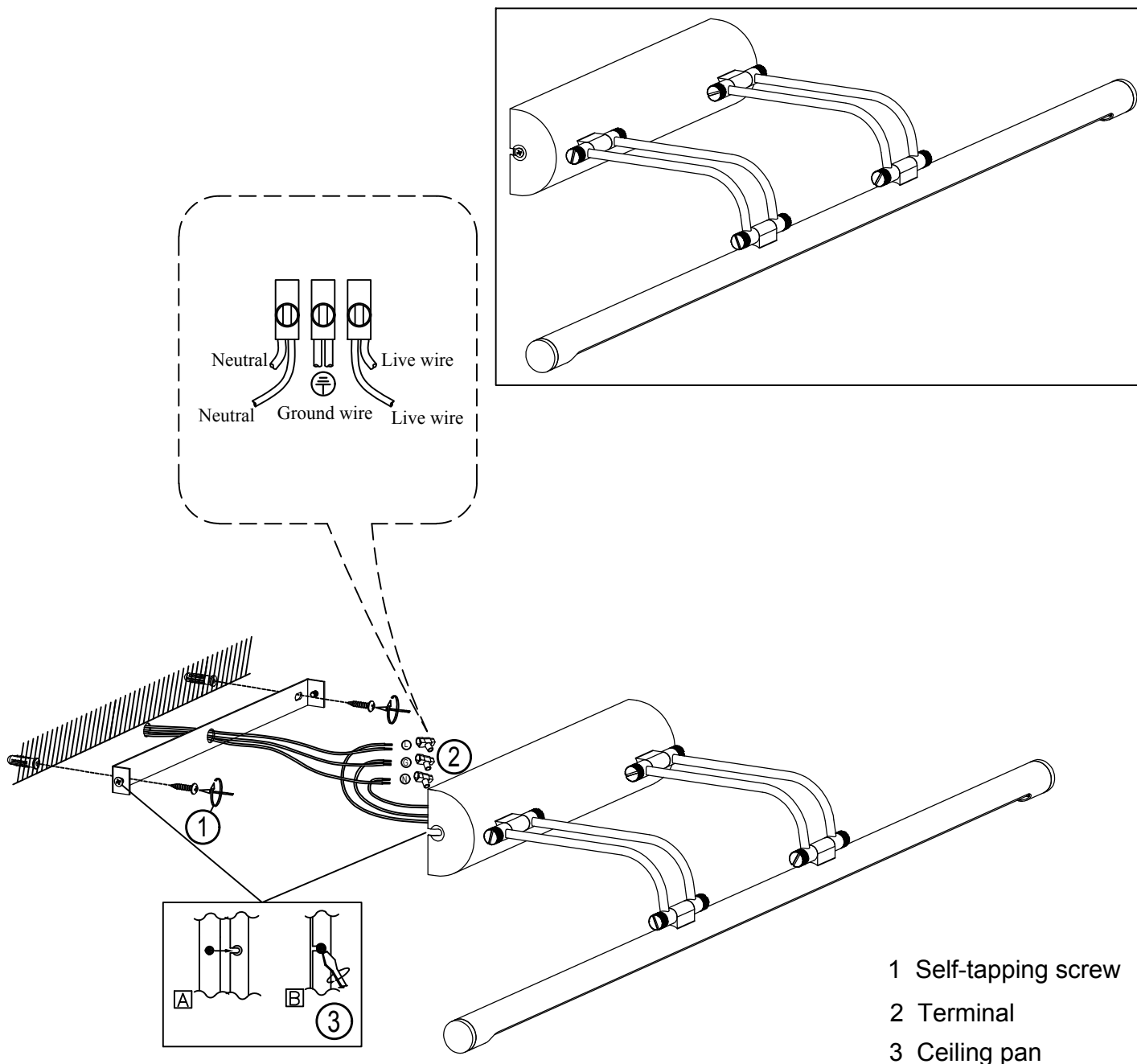


# ENGLISH

## Specification of installation

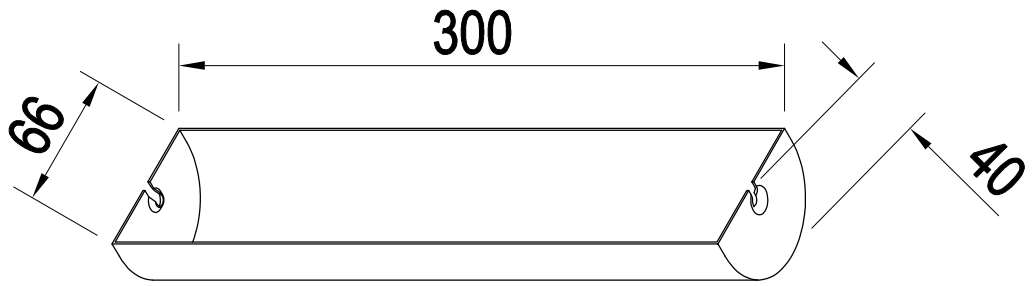
In order to ensure safety use, please notice the following items:

- . Read and understand the whole Specification.
- . Suitable for the use of 220-240V and 50-60Hz.
- . Please wear gloves as installment and avoid rot on the surface of plating.
- . Must be installed on the fixed places and be checked annually.
- . Please turn off the lighting source by soft cloth as cleaning prohibited to use of rotted detergent.
- . Please connect with the local sales service center when there are any abnormality.



Product coding: CLT 122W870 NI

BASE SIZE:



FIXTURE SIZE:

