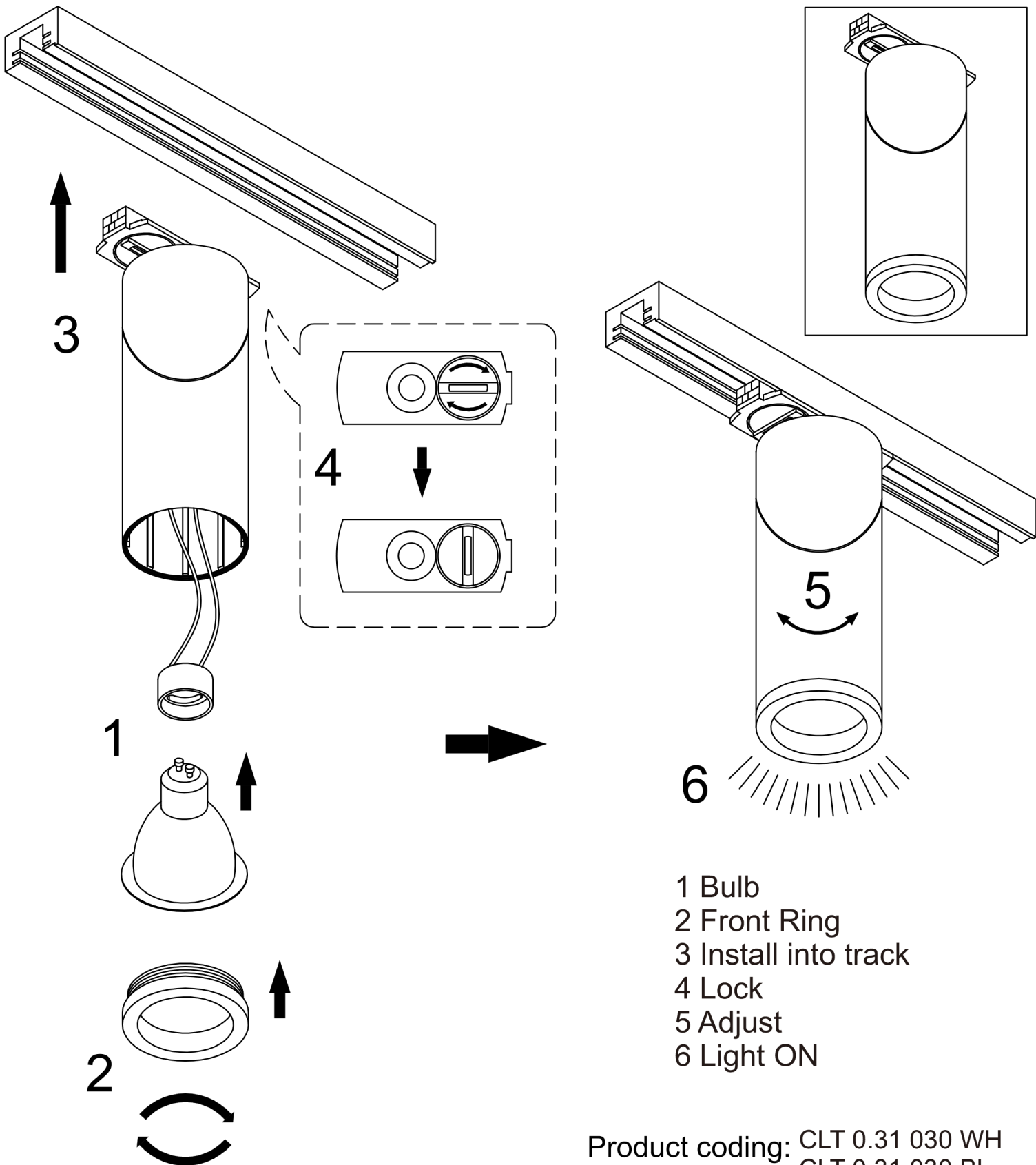


Specification of installation

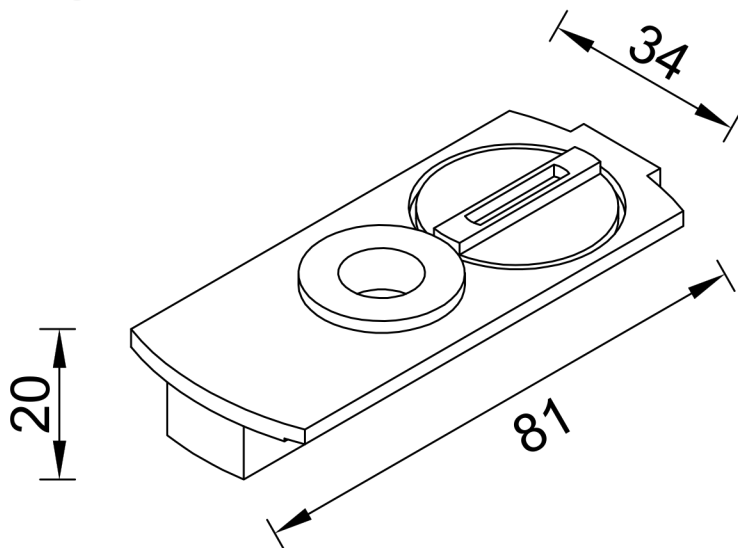
In order to ensure safety use, please notice the following items:

- Read and understand the whole Specification.
- Suitable for the use of 220~240V and 50~60Hz.
- Please wear gloves as installment and avoid rot on the surface of plating.
- Must be installed on the fixed please and be checked annually.
- Please turn off the lighting source by soft cloth as cleaning prohibited to use of rotted detergent.
- Please connect with the local sales service center when there and any abnormality.



Product coding: CLT 0.31 030 WH  
 CLT 0.31 030 BL

CEILING PAN SIZE:



FIXTURE SIZE:

