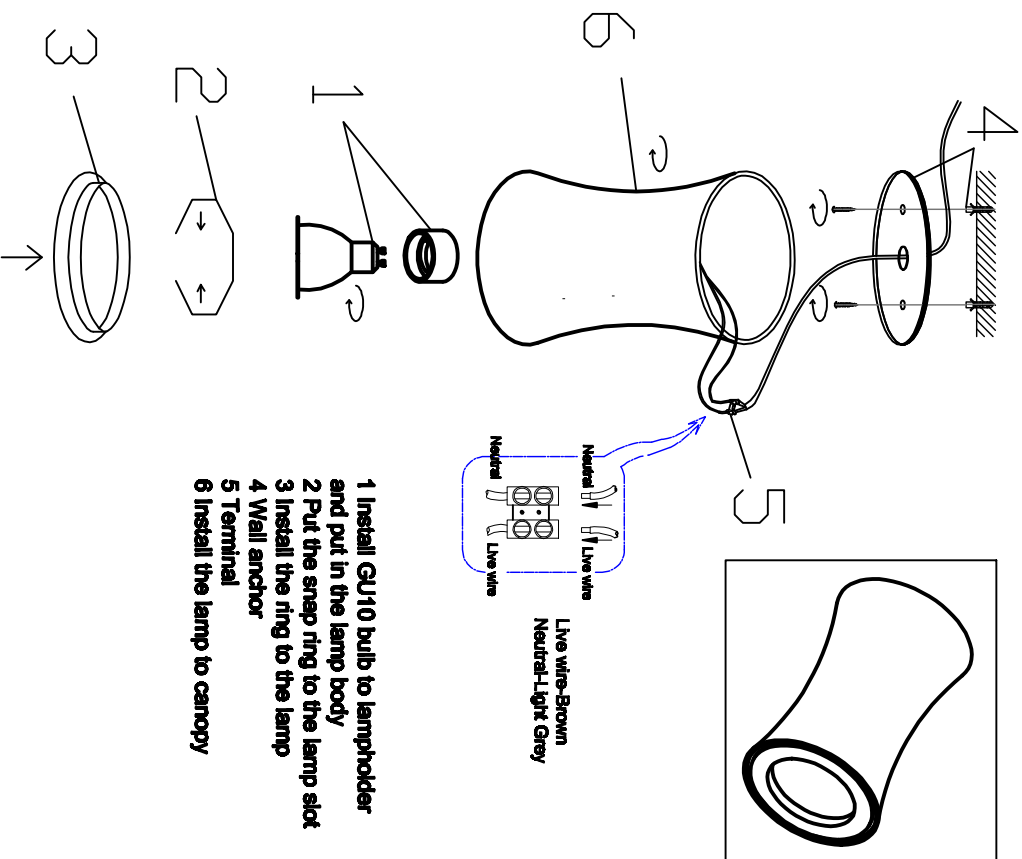


ENGLISH

Specification of installation

In order to ensure safety use, please notice the following items:

- Read and understand the whole Specification.
- Suitable for the use of 220-240V and 50-60Hz.
- Please wear gloves as installment and avoid not on the surface of painting.
- Must be installed on the fixed phases and be checked annually.
- Please turn off the lighting source by soft cloth as cleaning prohibited to use of rodid detergent.
- Please connect with the local sales service center when there and any abnormality.



Product coding: CTL 031C WH
CTL 031C BL

CEILING PAN SIZE:

D 57

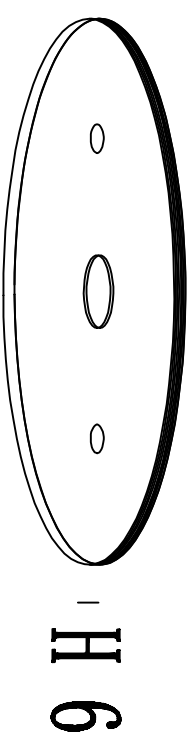


FIGURE SIZE:

