

Specification of installation

In order to ensure safety use, please notice the following items:

Read and understand the whole Specification.

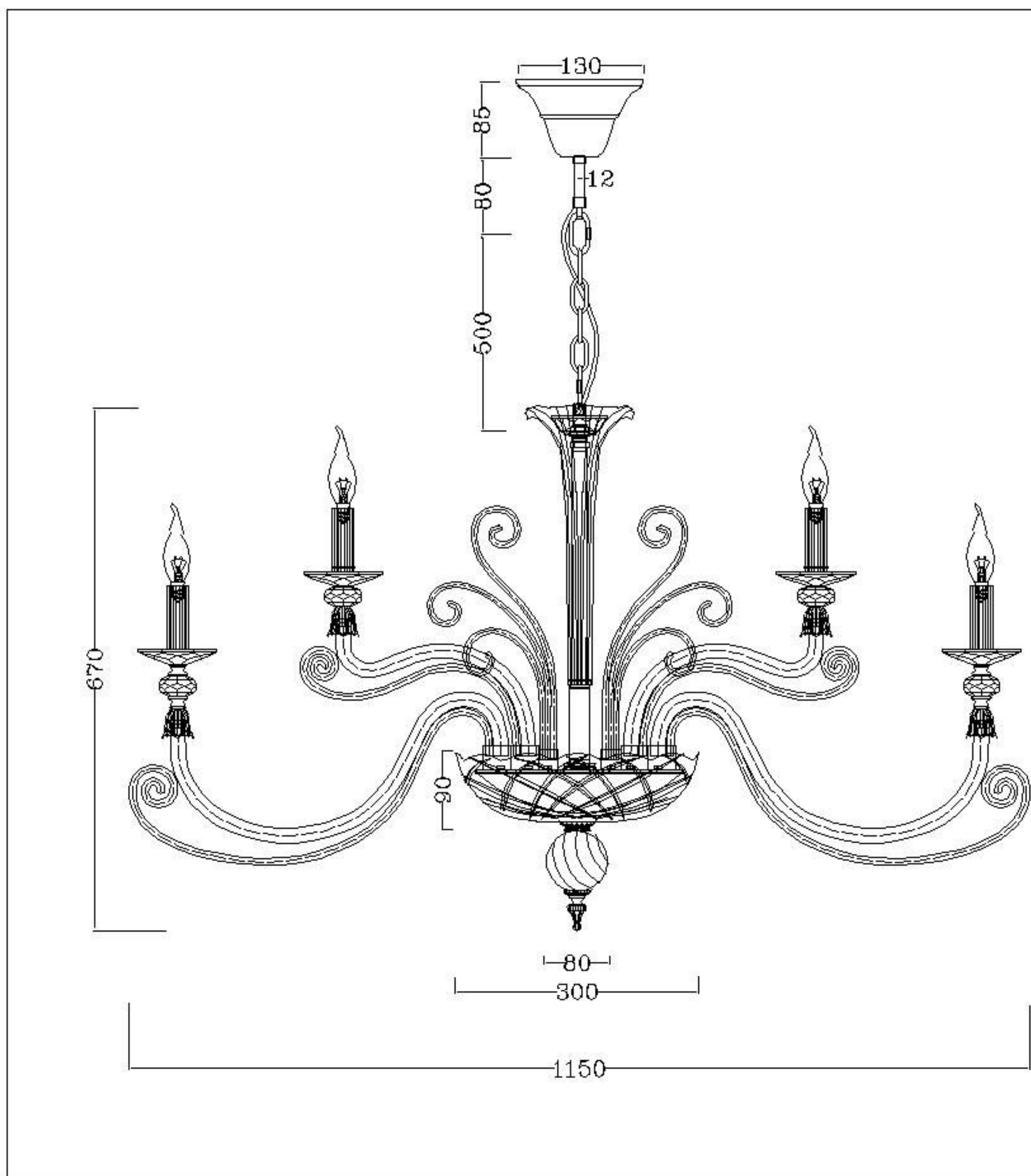
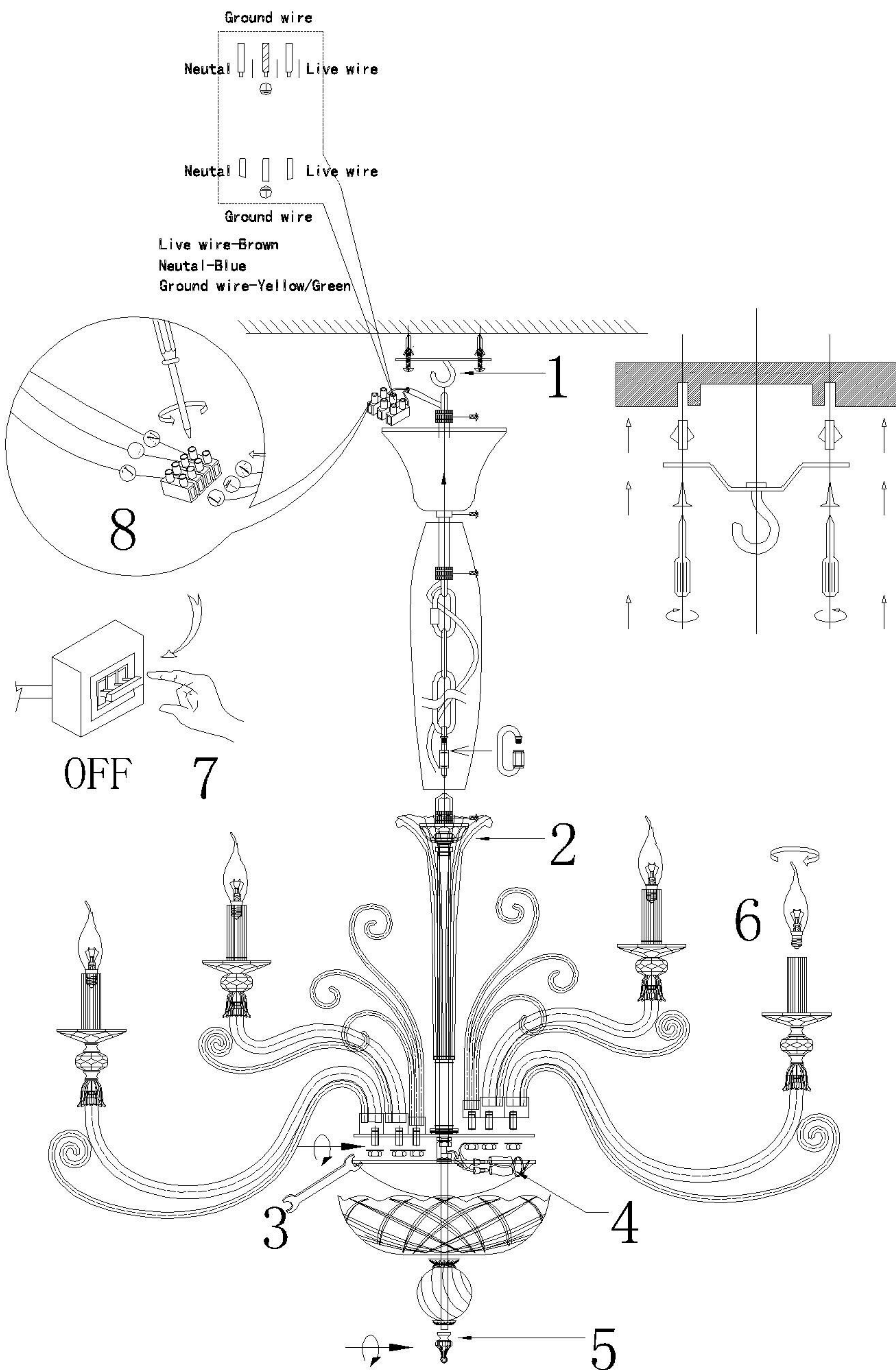
Suitable for the use of 220 ~ 240V and 50 ~ 60Hz.

Please wear gloves as installment and avoid rot on the surface of plating.

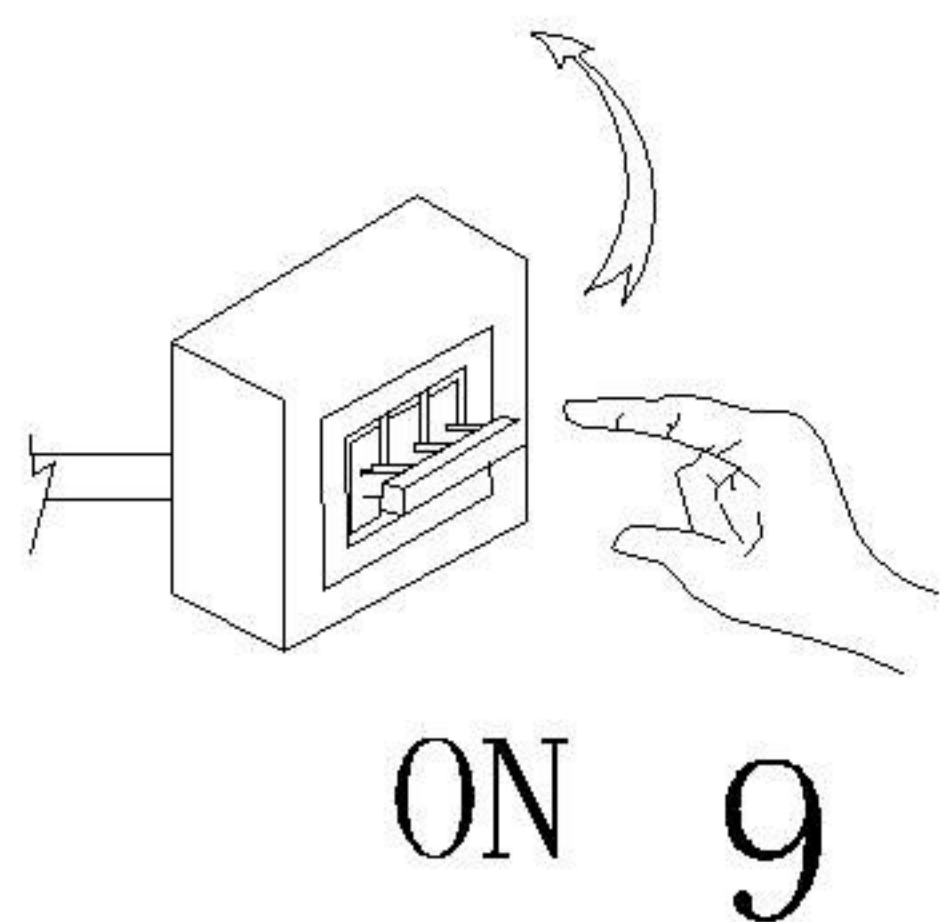
Must be installed on the fixed places and be checked annually.

Please turn off the lighting source by soft cloth as cleaning prohibited to use of rotted detergent.

Please connect with the local sales service center when there are any abnormality.



- 1 Fix the hanging plate in smallpox
- 2 Lock the chandelier with a chain lock
- 3 Lock the lamp arm with the tool
- 4 Connect the lamp arm, the light source line
- 5 Install the bottom glass bowl
- 6 Install the E14 light source
- 7 power off
- 8 Connect lighting power
- 9 power on



CATARINA SP12+6GOLD/TRANSPARENT-COGNAC
 Ø1150*H670 ~220V/~240V E14 12*40W