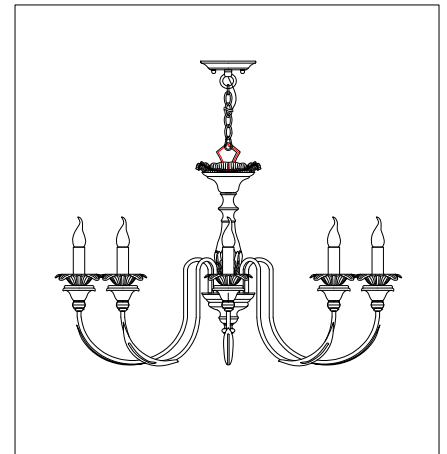
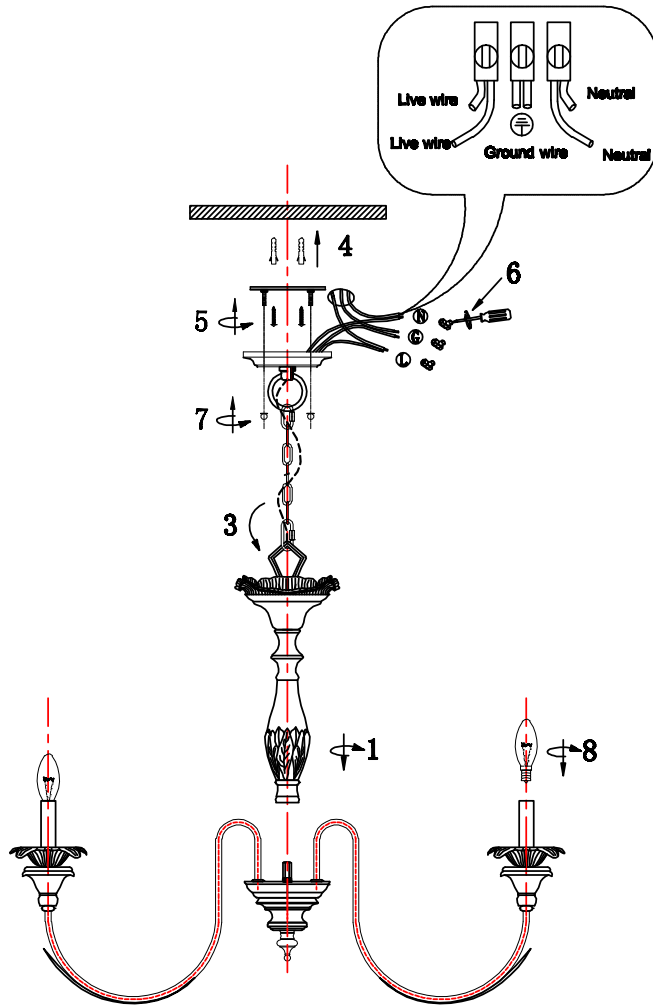


ENGLISH

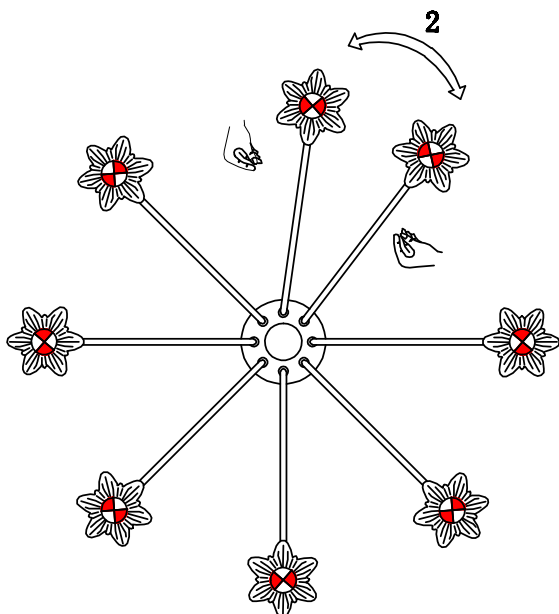
Specification of installation

In order to ensure safety use, please notice the following items:

- . Read and understand the whole Specification.
- . Suitable for the use of 220-240V and 50-60Hz.
- . Please wear gloves as installment and avoid rot on the surface of plating.
- . Must be installed on the fixed places and be checked annually.
- . Please turn off the lighting source by soft cloth as cleaning prohibited to use of rotted detergent.
- . Please connect with the local sales service center when there are any abnormality.

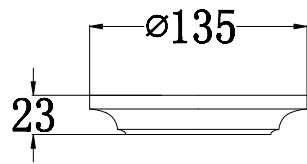


- 1 Center pillar
- 2 Lamp arm
- 3 Chain
- 4 Wall plugs
- 5 Screw
- 6 Terminal
- 7 Final
- 8 Blub



Product coding: CASA SP8

BASE SIZE:



FIXTURE SIZE:

