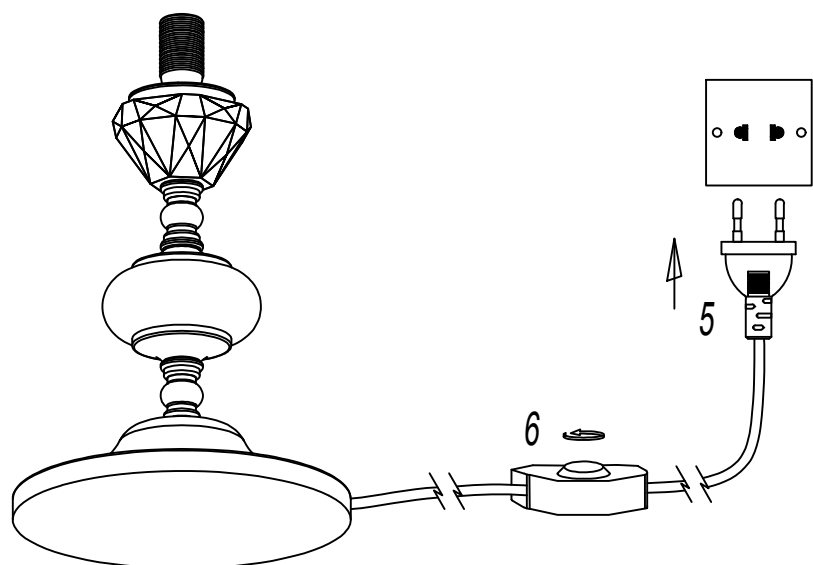
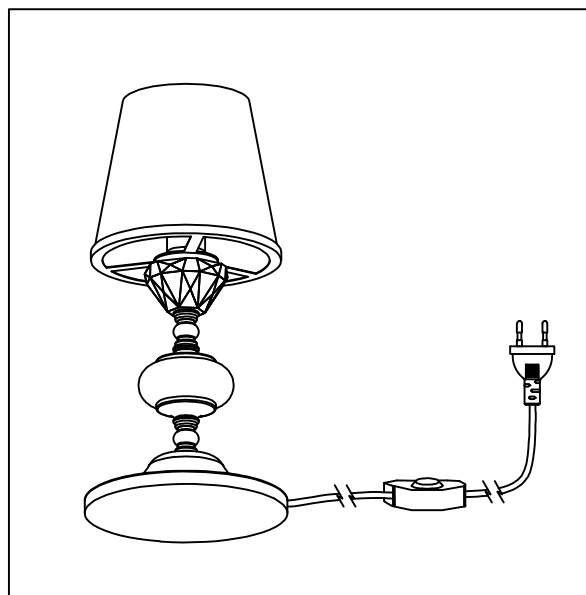
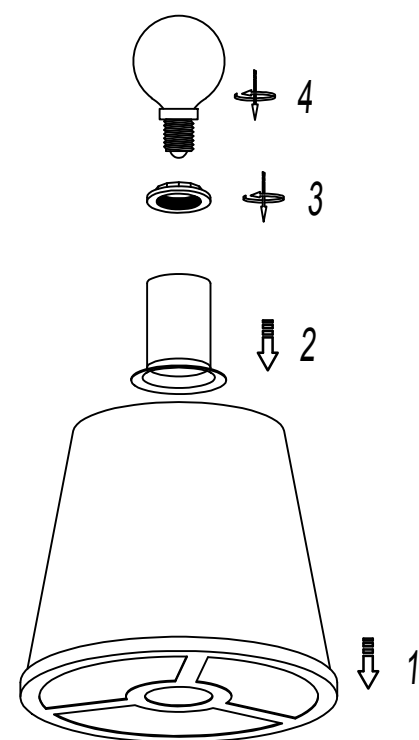


# ENGLISH

## Specification of installation

In order to ensure safety use, please notice the following items:

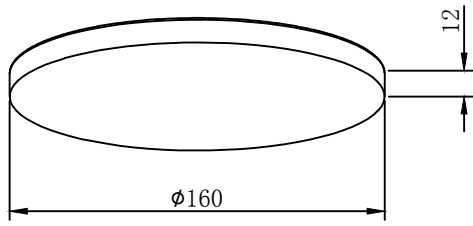
- Read and understand the whole Specification.
- Suitable for the use of 220-240V and 50-60Hz.
- Please wear gloves as installment and avoid rot on the surface of plaetng.
- Must be installed on the fixed places and be checked annually.
- Please tum off the lighting source by soft cloth as cleaning prohibited to use of rotted detergent.
- Please connect with the local sales service center when there are any abnormality.



- 1 Glass shade
- 2 Lamp cup
- 3 Socket ring
- 4 E14 bulb
- 5 Plug
- 6 Switch

Product coding: BETIS LG1

## BASE SIZE:



## FIXTURE SIZE:

