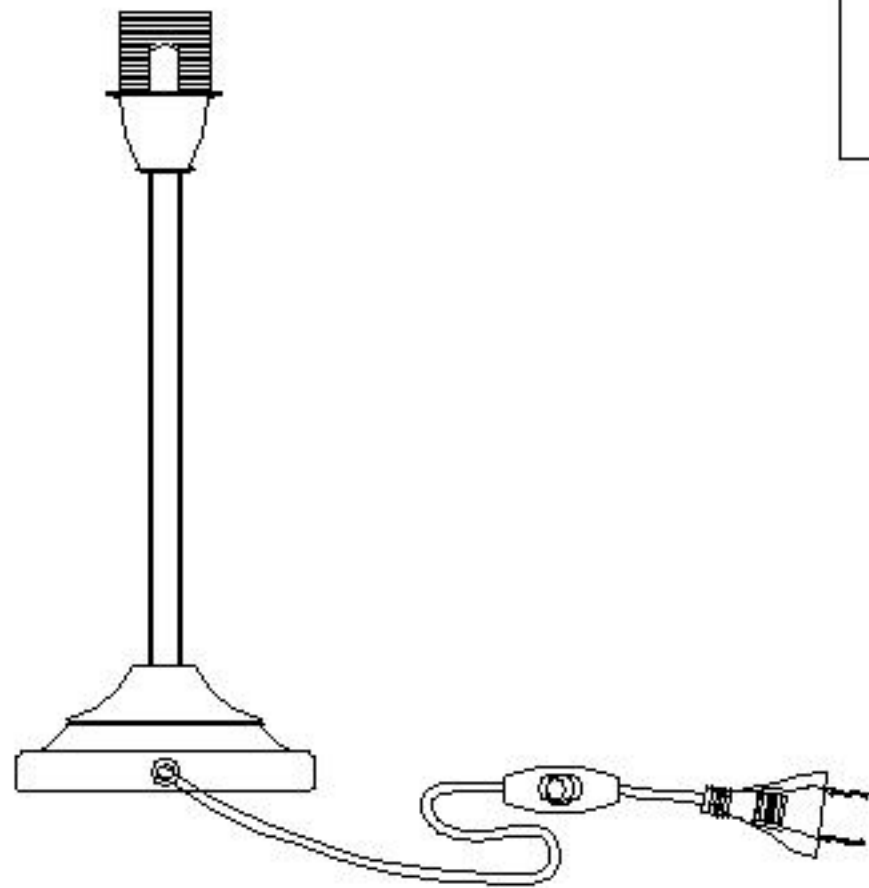
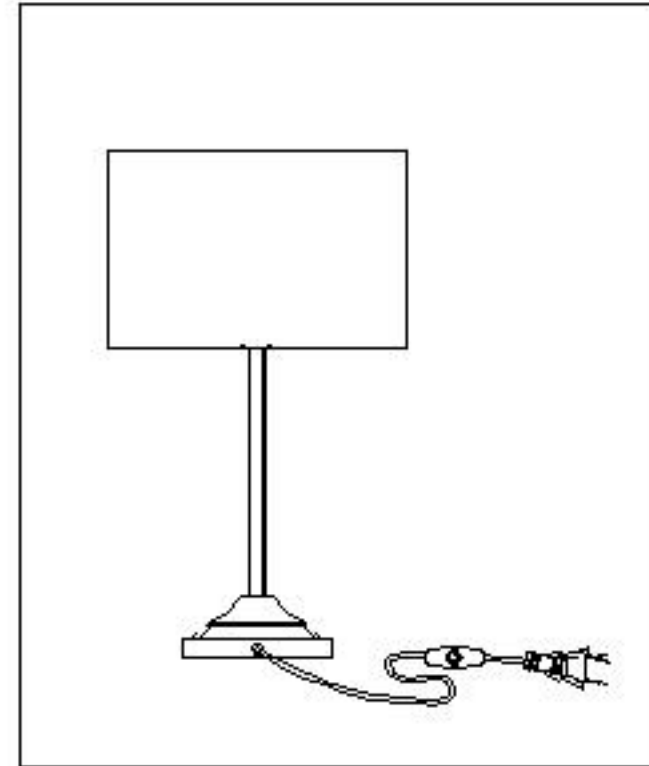
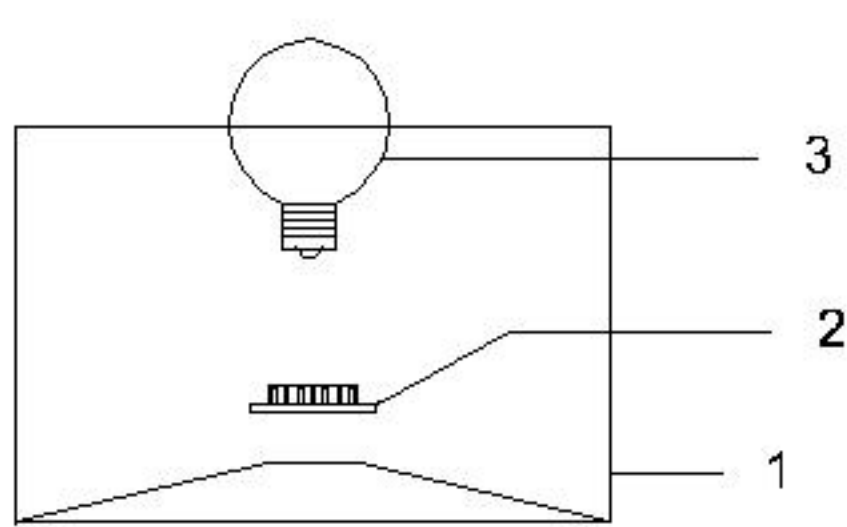


ENGLISH

Specification of installation

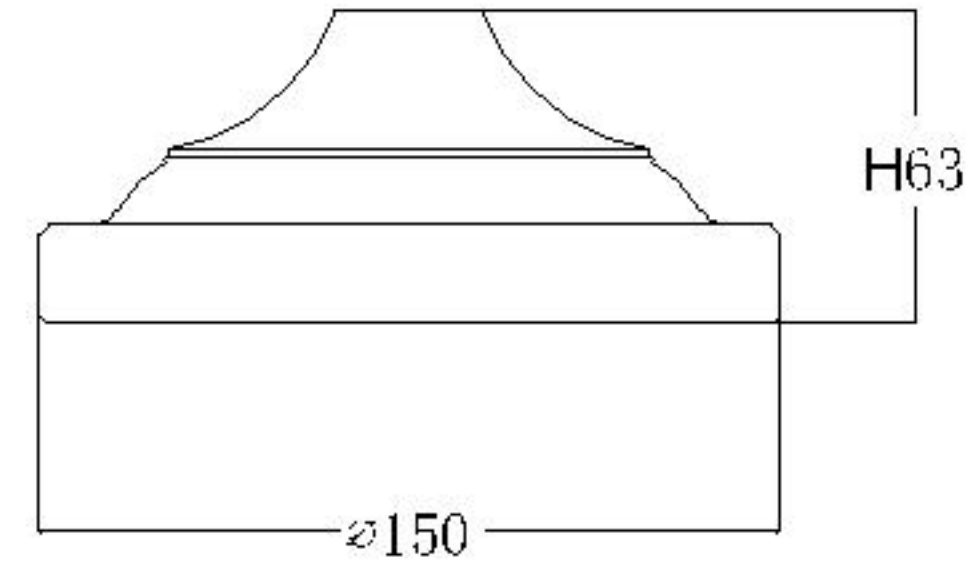
- In order to ensure safety use, please notice the following items
- Read and understand the whole Specification.
- Suitable for the use of 220~240V and 50~60HZ.
- Please wear gloves as installment and avoid rot on the surface of plating.
- Must be installed on the fixed places and be checked annually.
- Please turn off the lighting source by soft cloth as cleaning prohibited to use of rotted detergent.
- Please connect with the local sales service center when there are any abnormality.



- 1 Shade
- 2 Rings
- 3 E27 bulb

Product coding:ASTA LG1

BASE SIZE



FIXTURE SIZE

