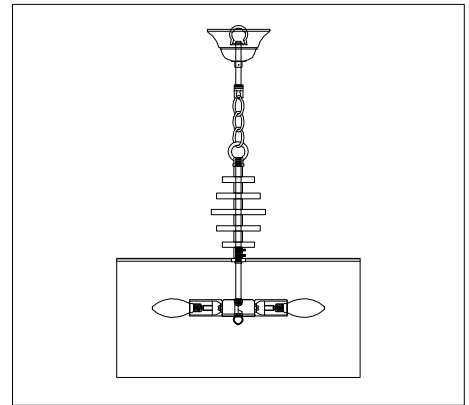
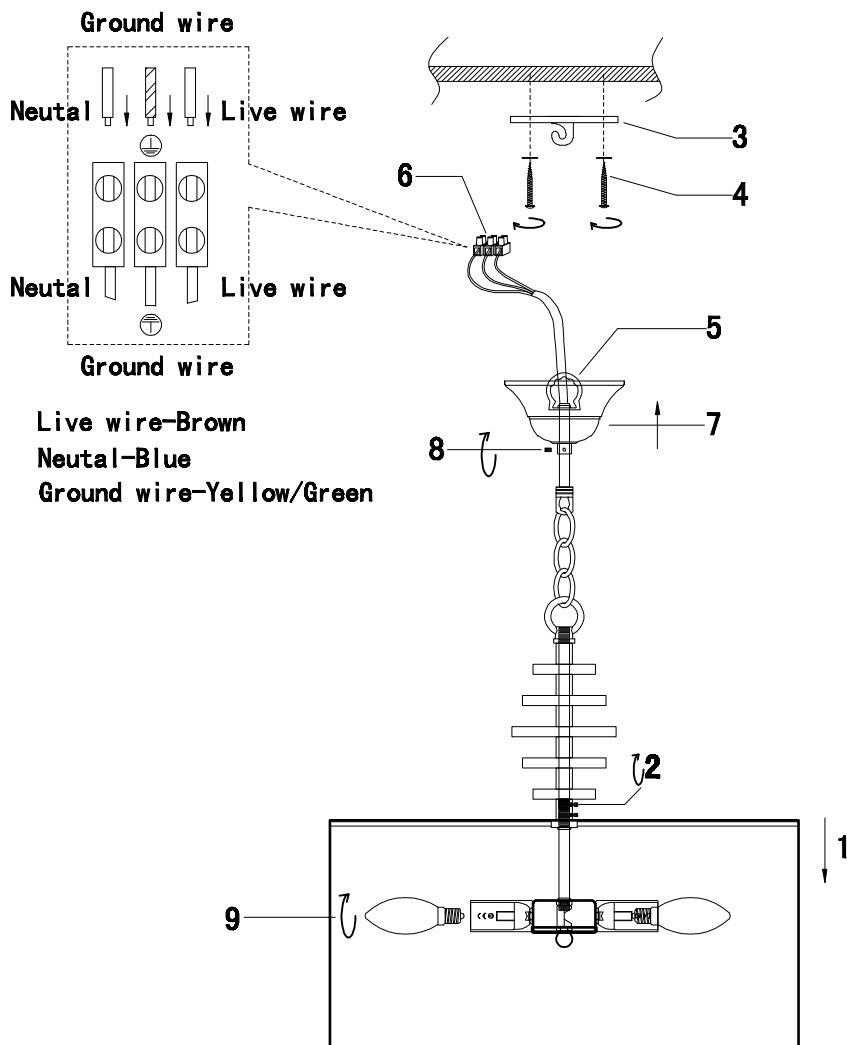


ENGLISH

Specification of installation

In order to ensure safety use, please notice the following items:

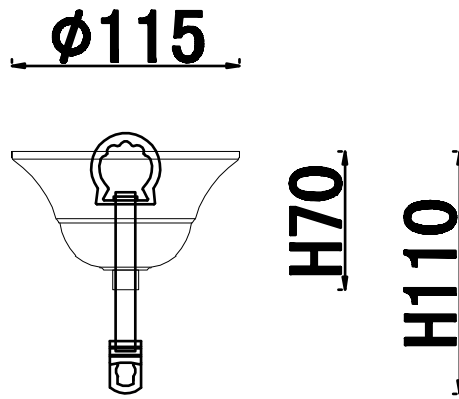
- Read and understand the whole Specification.
- Suitable for the use of 220~240V and 50~60Hz.
- Please wear gloves as installment and avoid rot on the surface of plating.
- Must be installed on the fixed places and be checked annually.
- Please turn off the lighting source by soft cloth as cleaning prohibited to use of rotted detergent.
- Please connect with the local sales service center when there are any abnormality.



- 1 Shade
- 2 Screw
- 3 Mounting
- 4 Self-tapping screw
- 5 Ring
- 6 Terminal
- 7 Canopy
- 8 Screw
- 9 E14 bulb

Product coding:ARMANDO SP4 GOLD

BASE SIZE:



FIXTURE SIZE:

