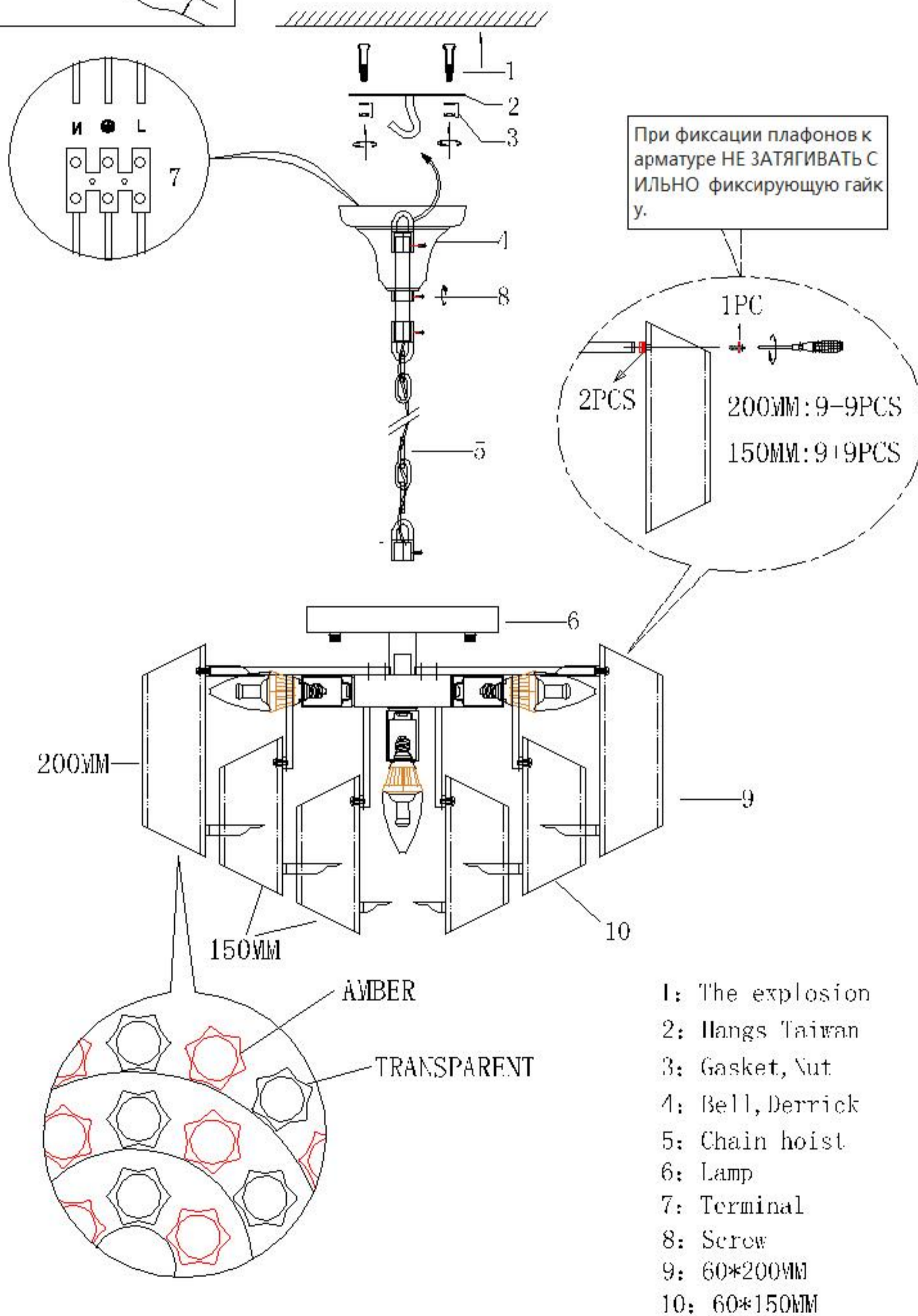
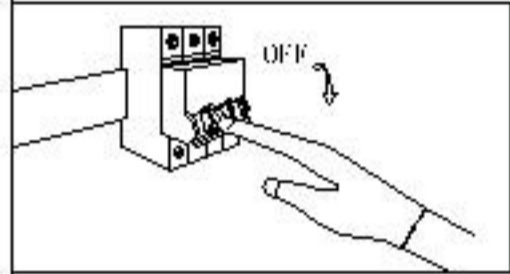


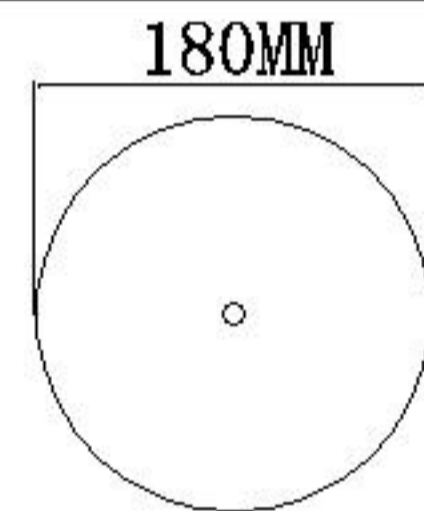
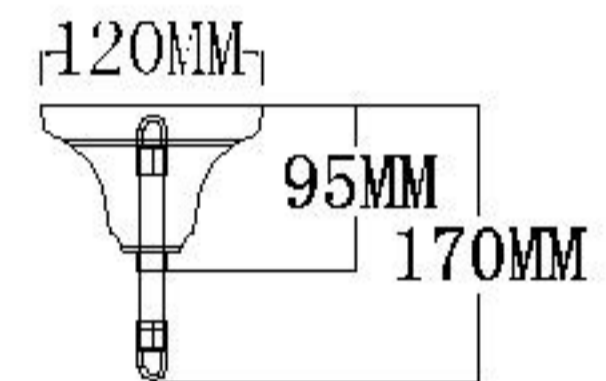
Specification of installation

In order to ensure safety use, please notice the following items:

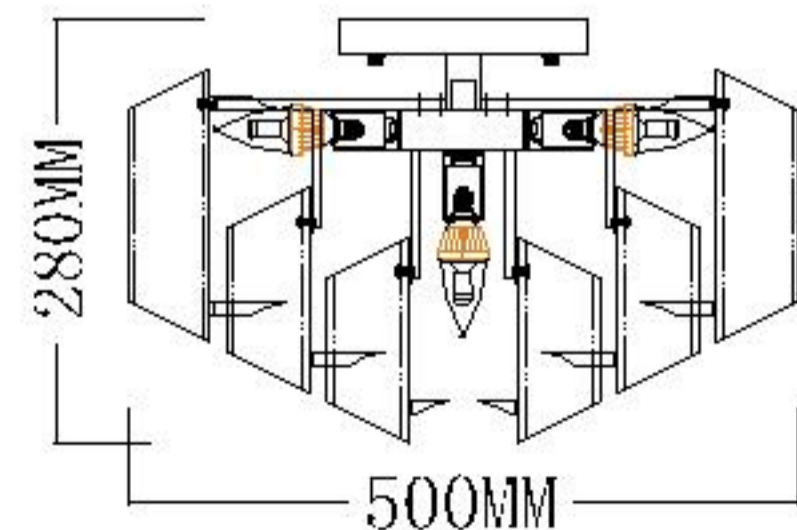
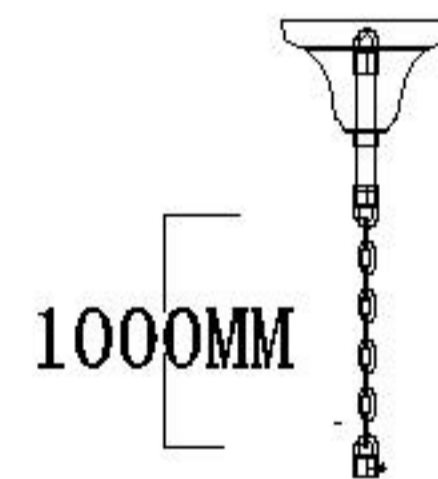
- . Read and understand the whole Specification.
- . Suitable for the use of 220~240v and 50~60Hz.
- . Please wear gloves as installment and avoid rot on the surface of plating.
- . Must be installed on the fixed places and be checked annually.
- . Please turn off the lighting source by soft cloth as cleaning prohibited to use of rotted detergent.
- . Please connect with the local sales service centhr when there are any abnormality.



CEILING PAN SIZE



FIXTURE SIZE:



- 1: The explosion
- 2: Hangs Taiwan
- 3: Gasket, Nut
- 4: Bell, Derrick
- 5: Chain hoist
- 6: Lamp
- 7: Terminal
- 8: Screw
- 9: 60*200MM
- 10: 60*150MM

Product coding: AMADO SP-PL7