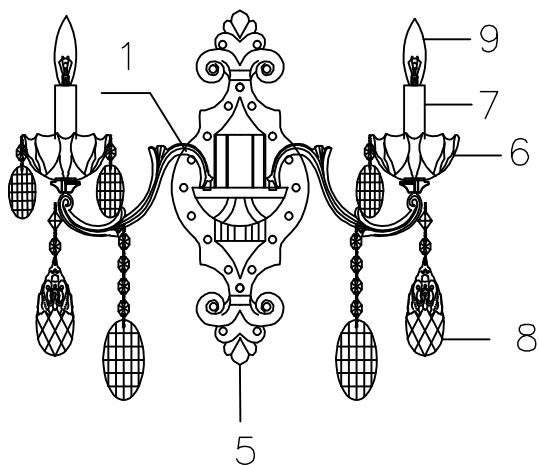
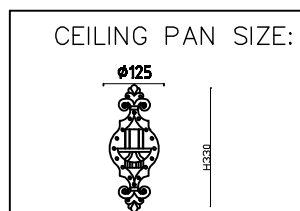
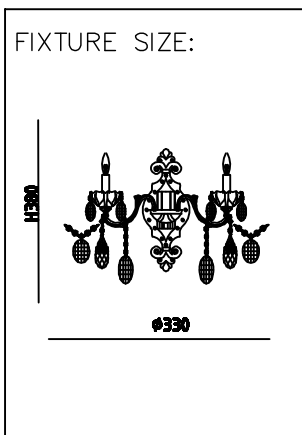
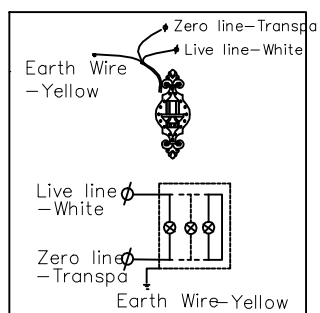
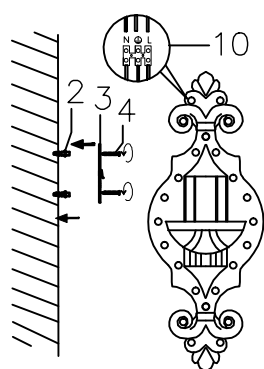


# ENGLISH

## Specification of installation

In order to ensure safety use, please notice the following items:

- .Read and understand the whole Specification.
- .Suitable for the use of 220~240v and 50~60Hz.
- .Please wear gloves as installment and avoid rot on the surface of plating.
- .Must be installed on the fixed places and be checked annually.
- .Please turn off the lighting source by soft cloth as cleaning prohibited to use of rotted detergent.
- .Please connect with the local sales service centhr when there are any abnormality.



- 1 Glass arm
- 2 Wall anchor
- 3 Mounting
- 4 Self-tapping screw
- 5 Wall base
- 6 Glass Side plate
- 7 Metal sleeve
- 8 Crystal
- 9 E14 bulb
- 10 Terminal

Product coding: ABSOLUT AP2