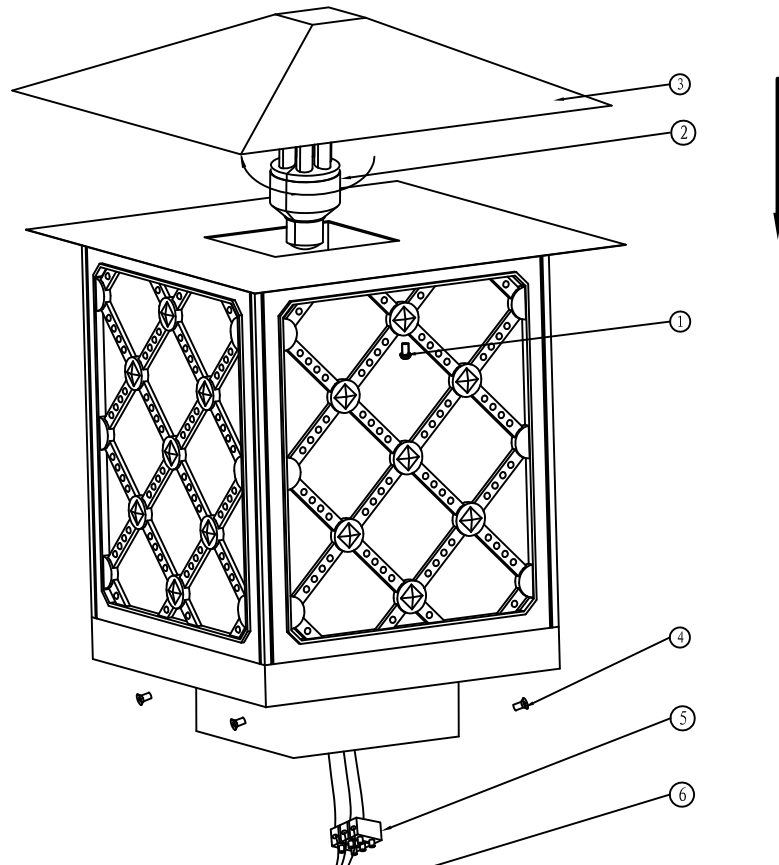


INSTALLATION INSTRUCTION ODEON LIGHT ART. 2747/1A



CAUTIONS FOR USE

- 1、 Rated voltage is 220-240V.
- 2、 Loosen the screw (1) and take off the shade (3) .
- 3、 Install the bulb(2) at recommended wattage to socket, put the shade back and fix with screw.
- 4、 Loosen screw(4) to separate the square pipe and fixture head.
- 5、 Connect the lead wire(6) with terminal block(5), and fix fixture head and square tube with screw after connection, please note polarity.
- 6、 Use screwdriver to drill four holes in suitable place, hammer the anchoring(9), put the fixture into the anchoring and fix with nuts(8)
- 7、 Check if the installation is completed and turn on the power

