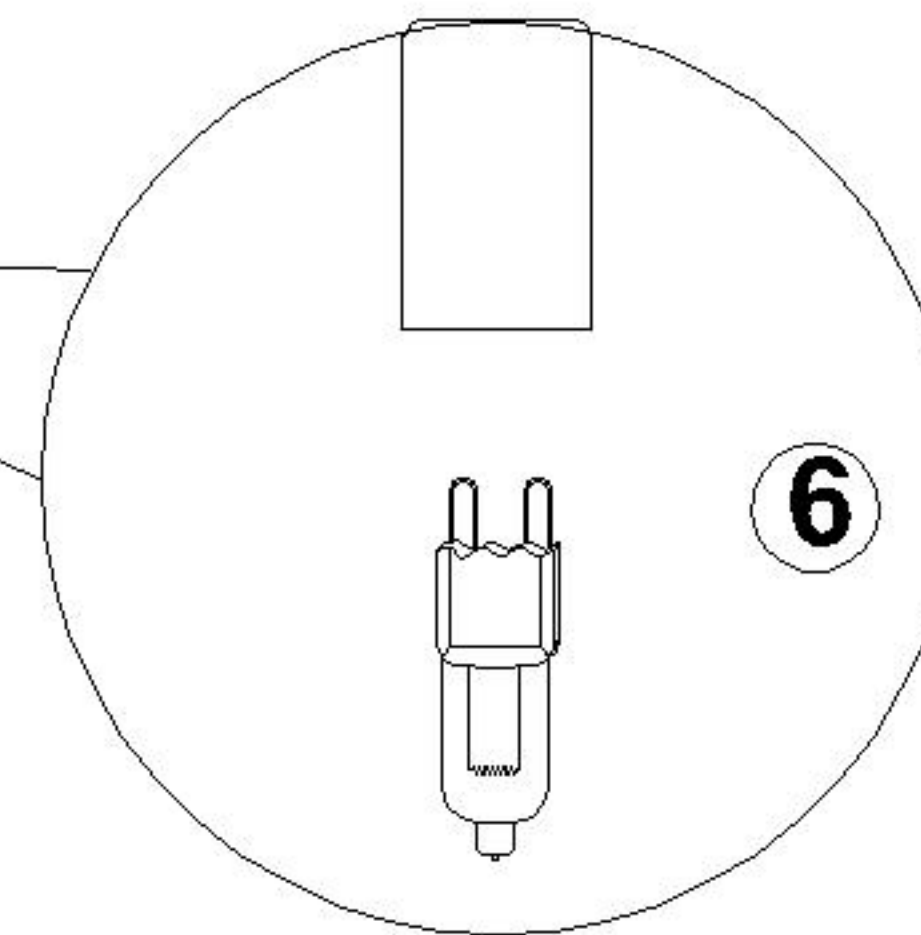
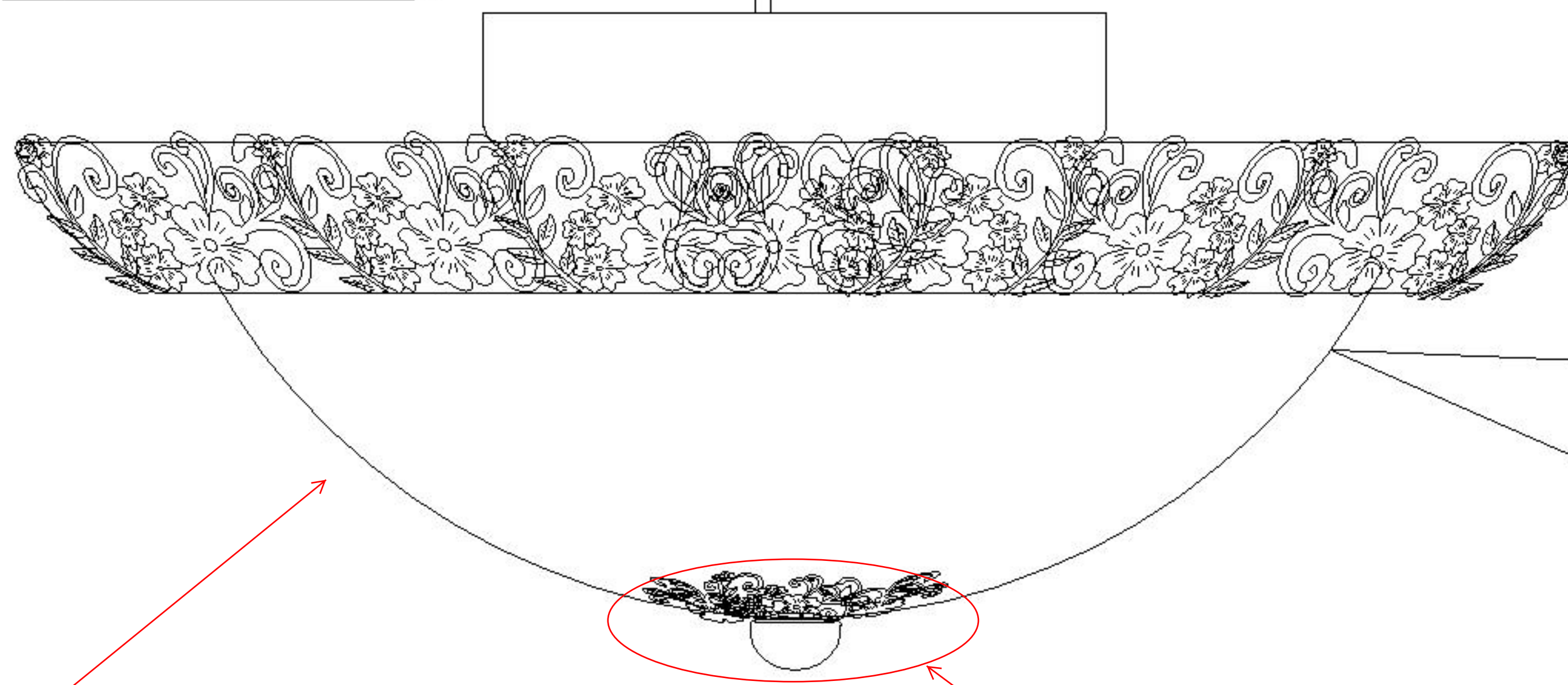
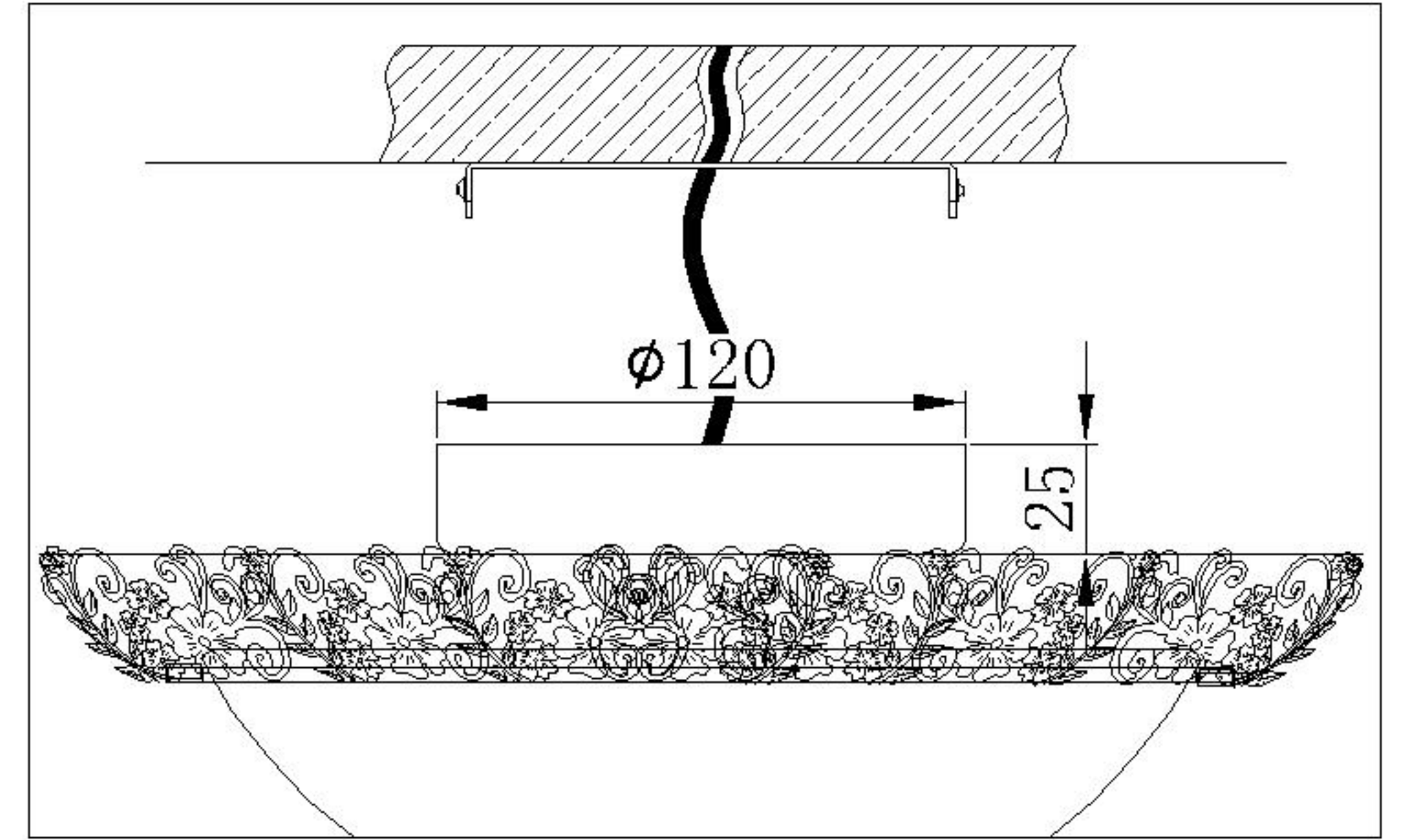
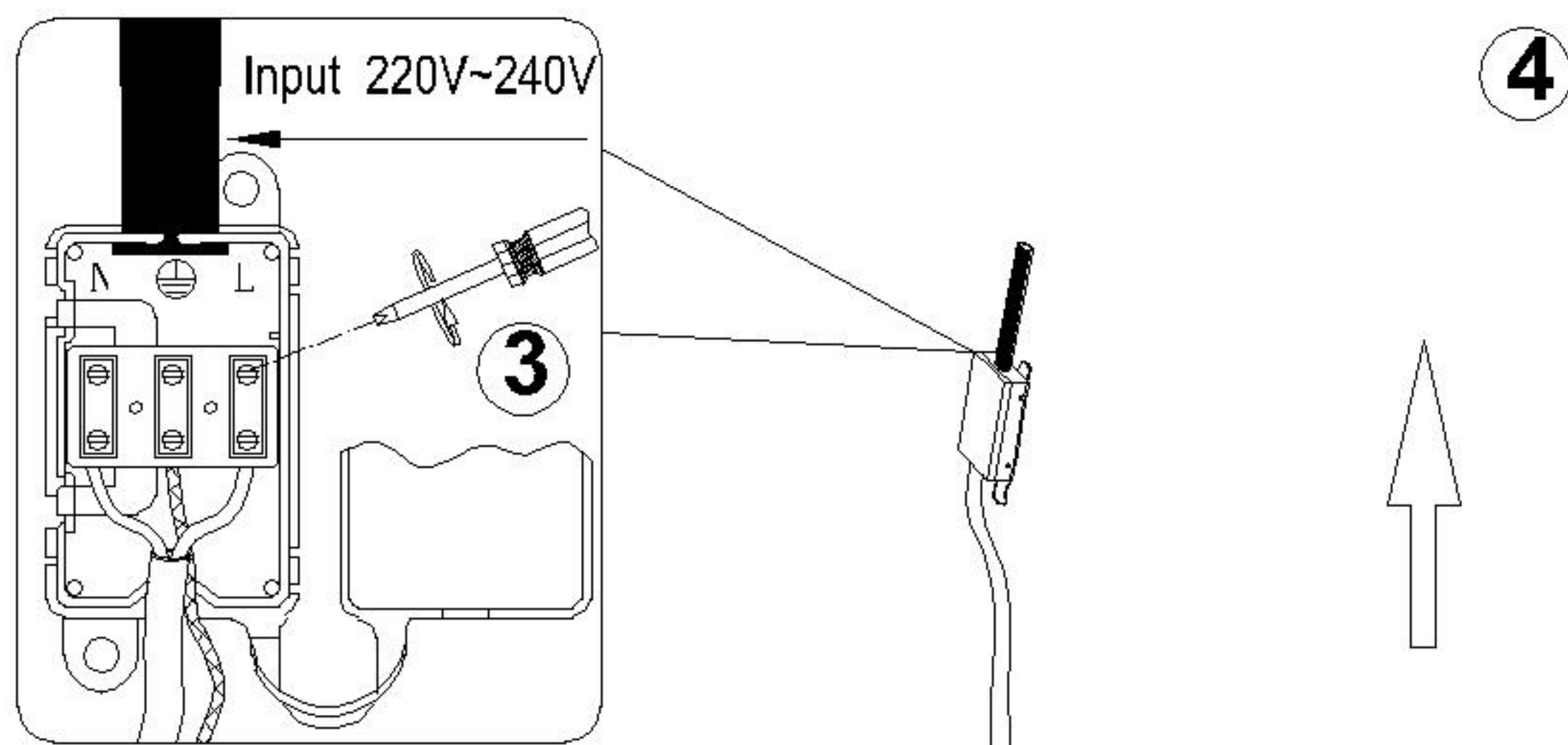
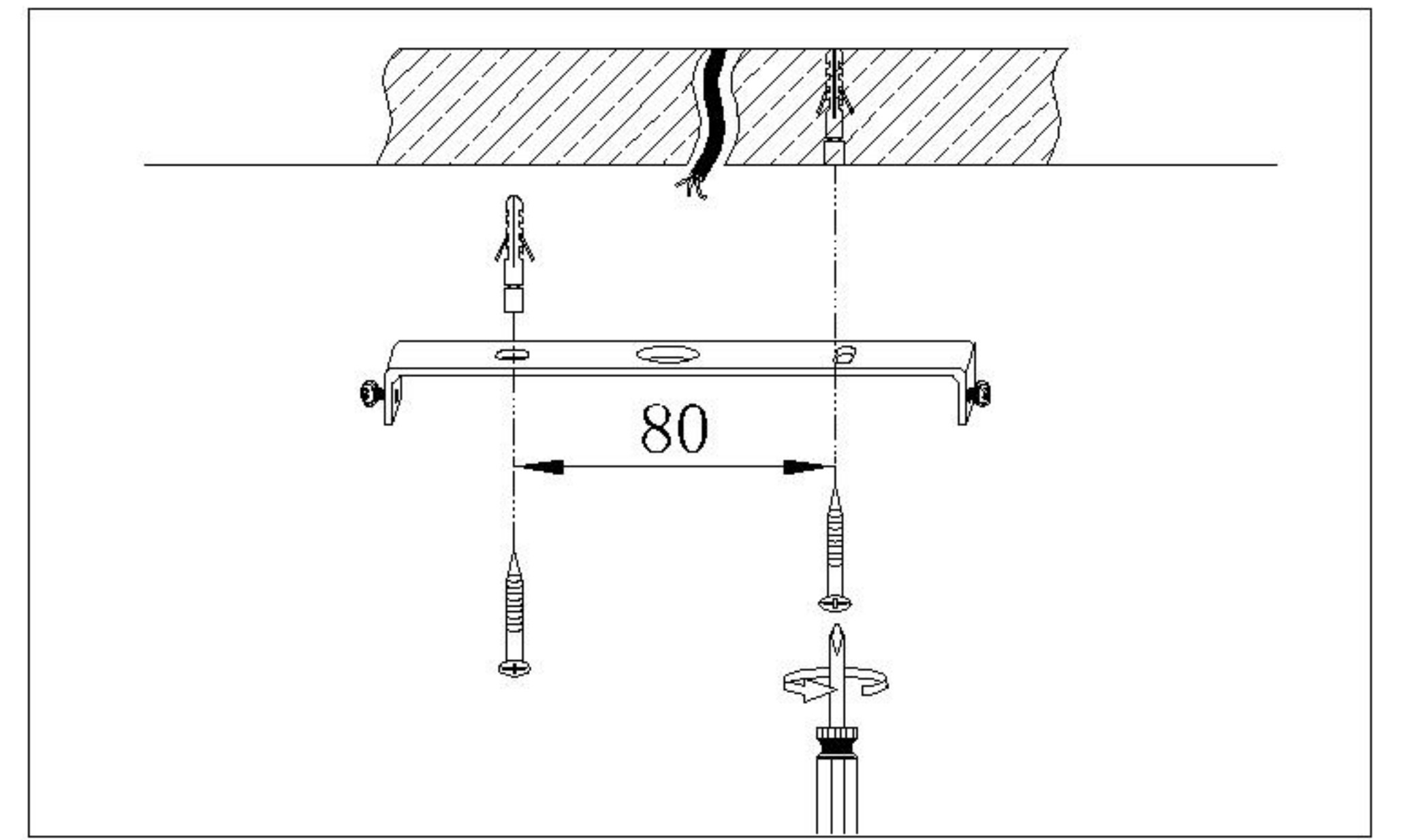
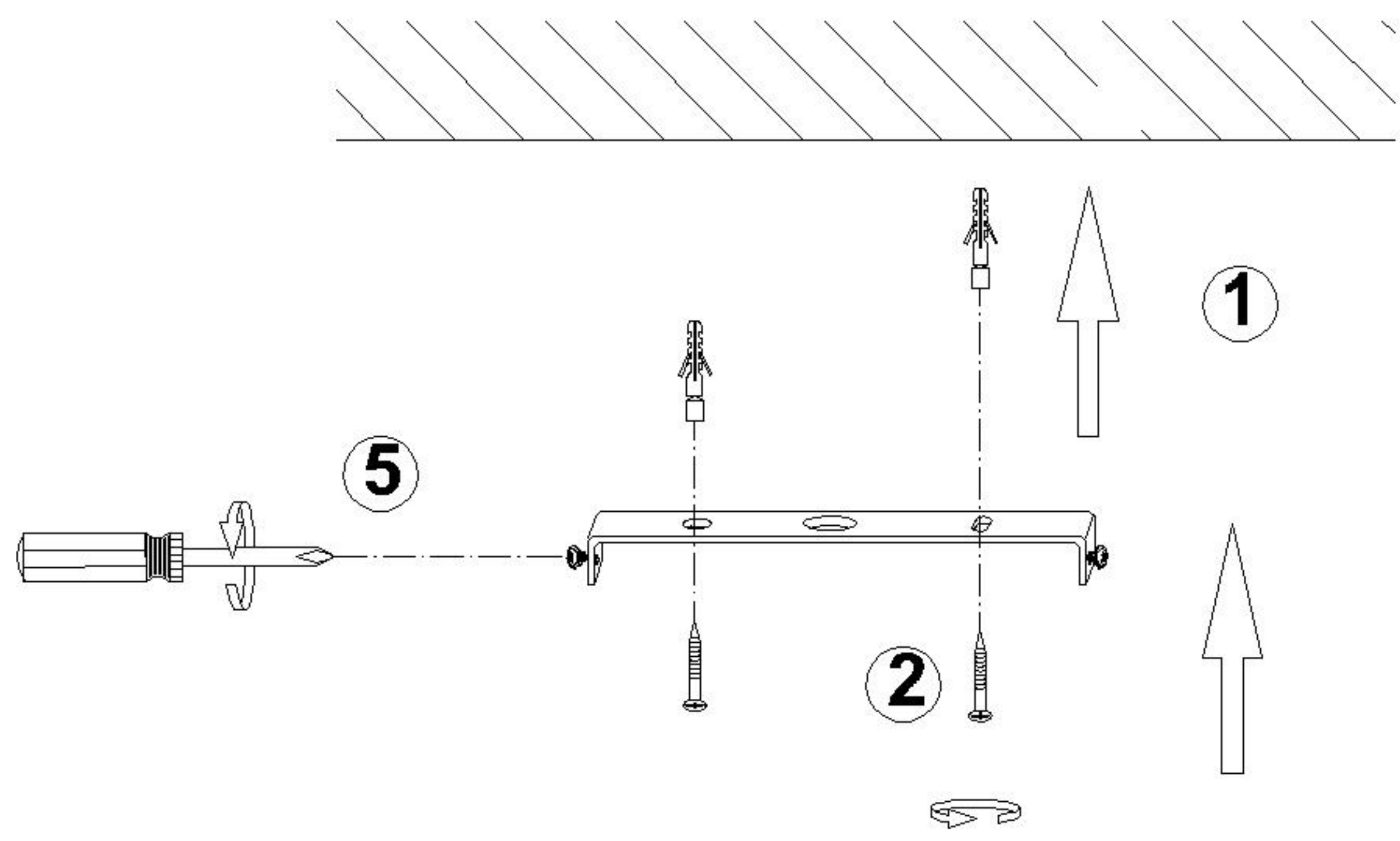


# INSTALLATION INSTRUCTION ODEON LIGHT ART . 2726/2C



**G2726-2C**

**S2726**

