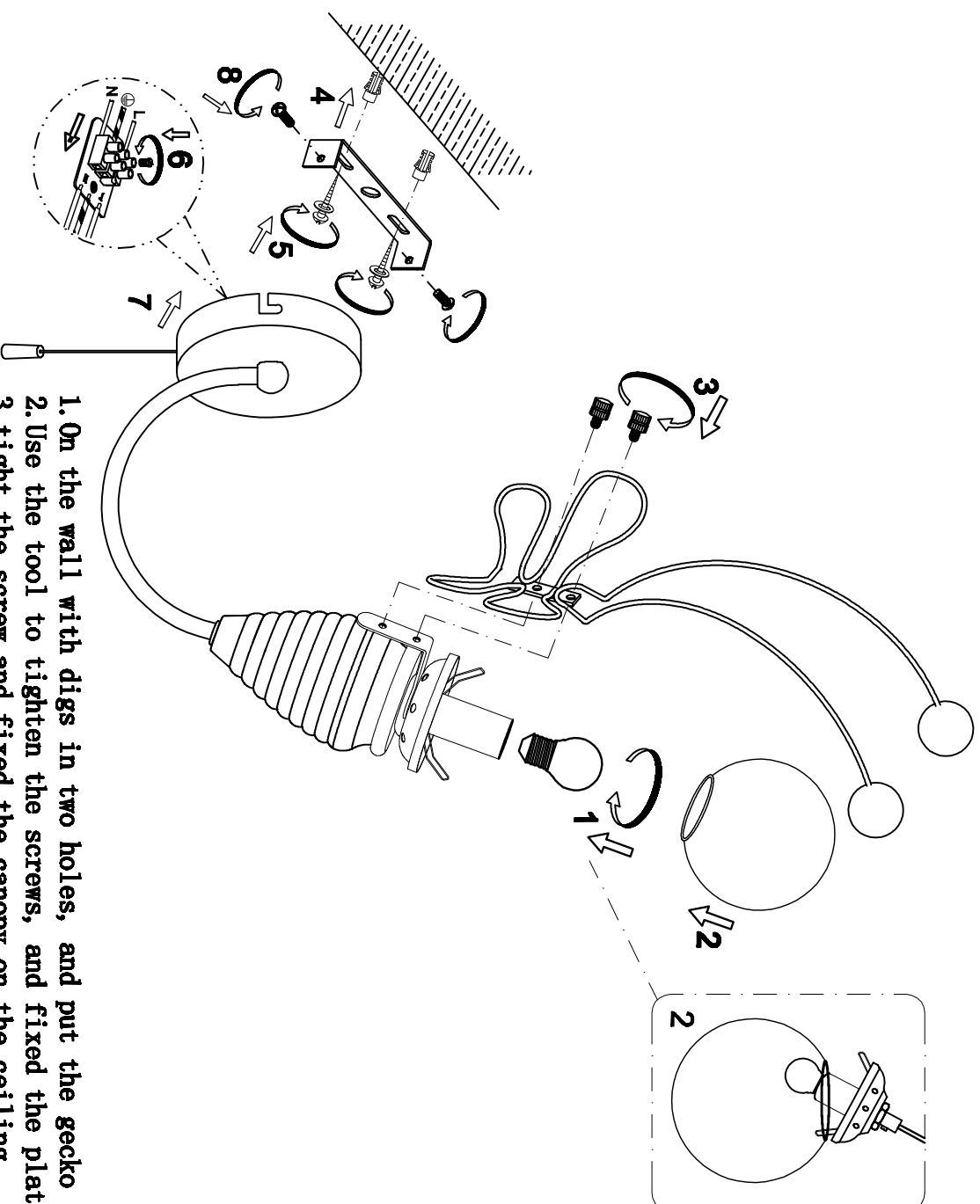
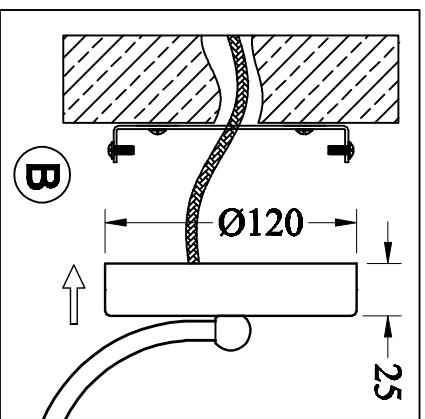
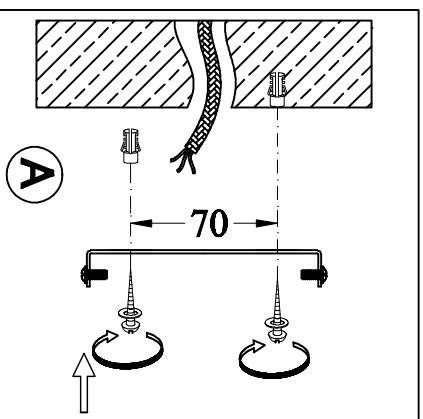


# INSTALLATION INSTRUCTION

## ODEON LIGHT art.2633/1W



1. On the wall with diggs in two holes, and put the gecko into the holes
2. Use the tool to tighten the screws, and fixed the plate on the wall
3. Tight the screw and fixed the canopy on the ceiling
4. put the lampshade on the lampholder
5. Tight lamp holder outer ring, fixed the shade to the lamp holder
6. install the bulb