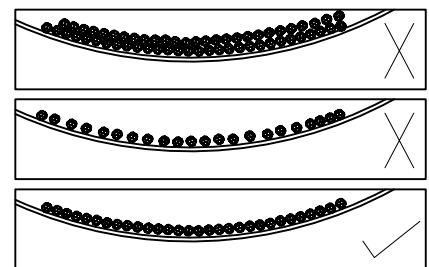
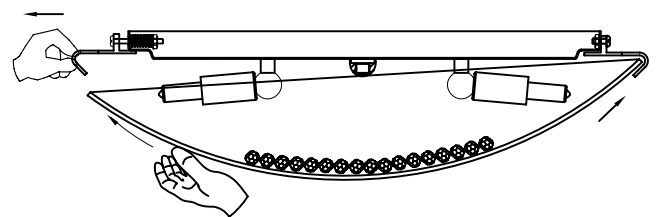
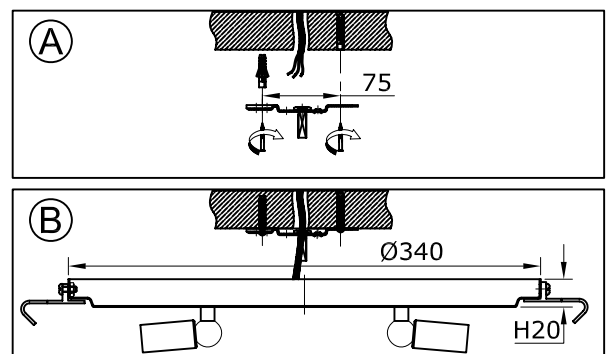
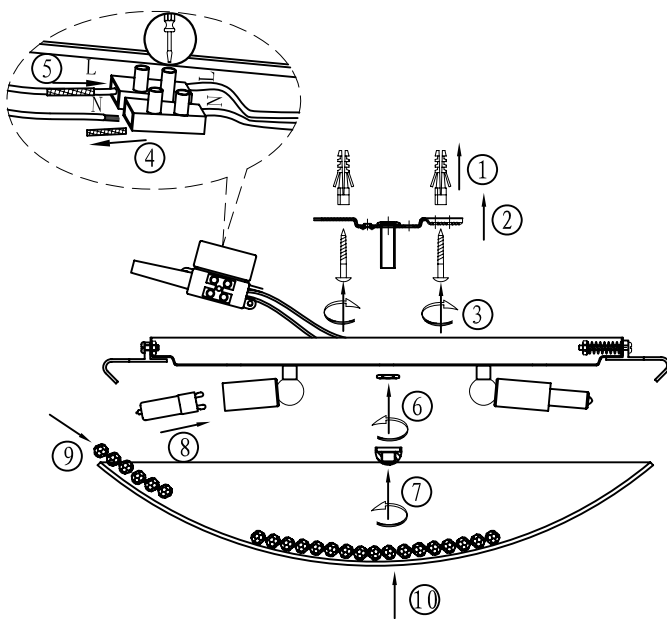


# ODEON LIGHT INSTALLATION INSTRUCTION

Item No.: 2609/4C



## FEATURE

- 220V~60Hz
- Lamp Type:G9 4×MAX 42W

The lamp can be only indoor used

If in doubt,consult a qualified electrician or contact your retail outlet.

Ensure that you always install the fitting to the relevant regulations.

Certain regulations indicate that lighting fittings should be installed by a qualified electrician.