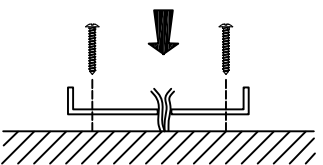


# INSTALLATION INSTRUCTION

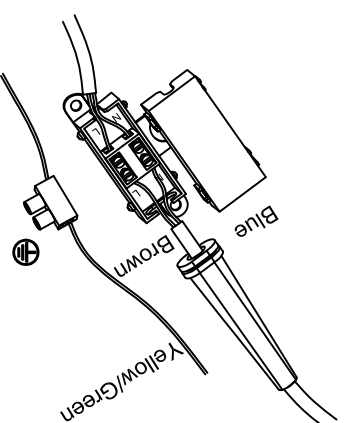
## ODEON LIGHT art.2421/1W

220V-240V ~50Hz  
E27 1xMax.60W

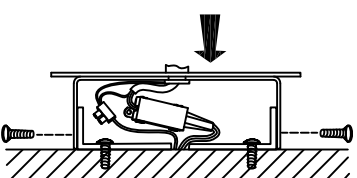
1



2



3



4

