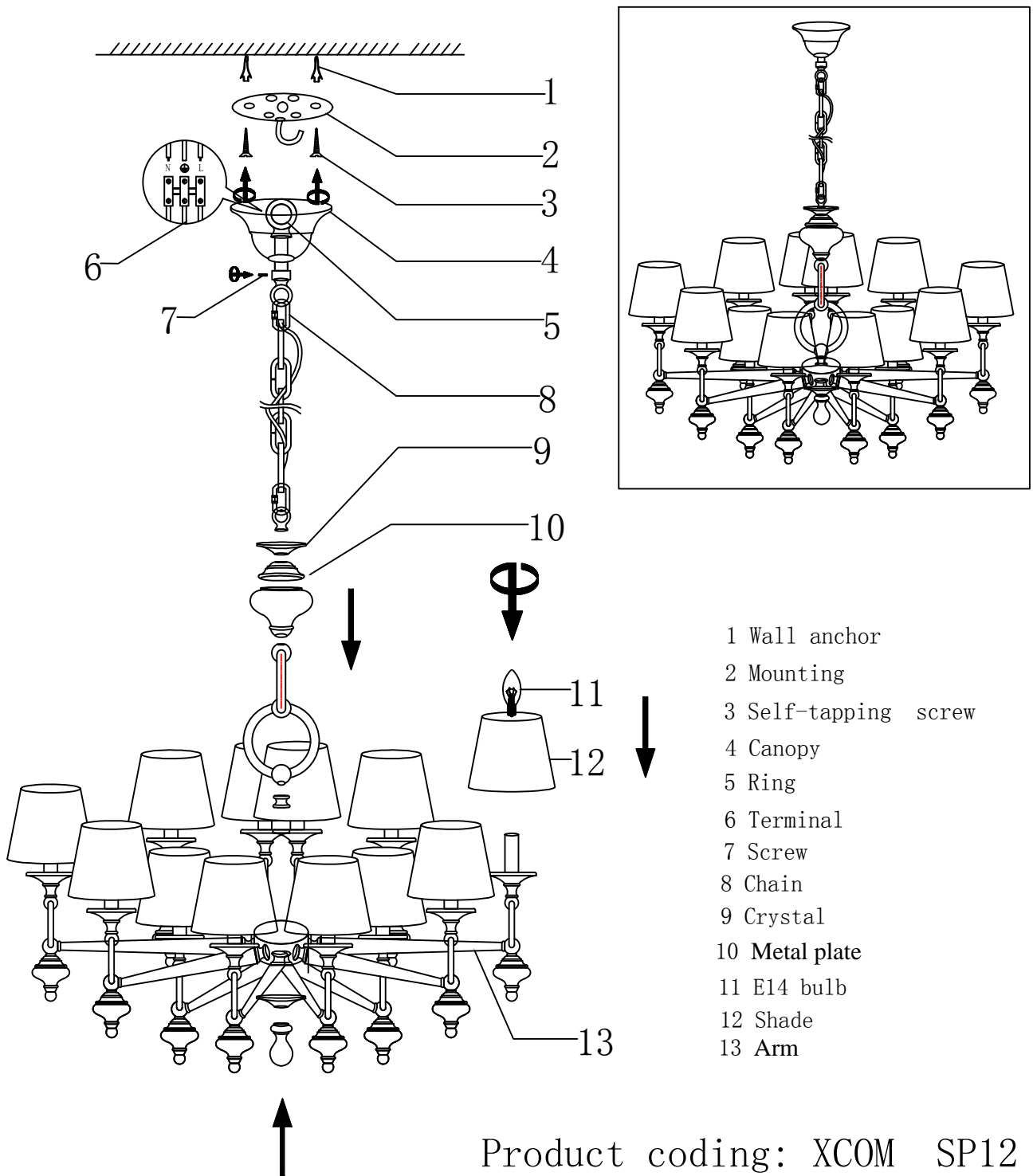


ENGLISH

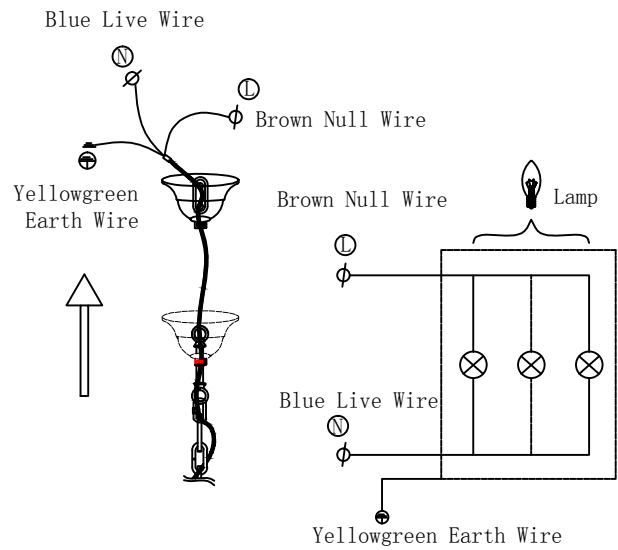
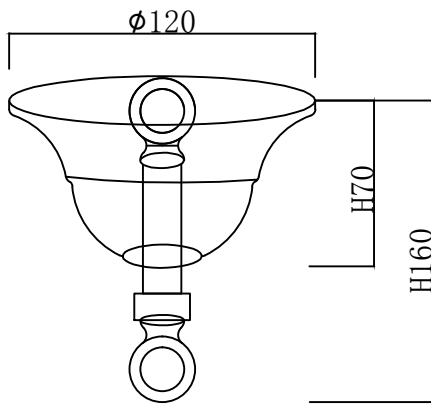
Specification of installation

In order to ensure safety use, please notice the following items:

- Read and understand the whole specification.
- Suitable for the use of 220~240V and 50~60HZ.
- Please wear gloves as installment and avoid rot on the surface of plating.
- Must be installed on the fixed places and be checked annually.
- please turn off the lighting source by soft cloth as cleaning prohibited to use of rotted detergent.
- please connect with the local sales service center when there are any abnormality.



CEILING PAN SIZE:



FIXTURE SIZE:

