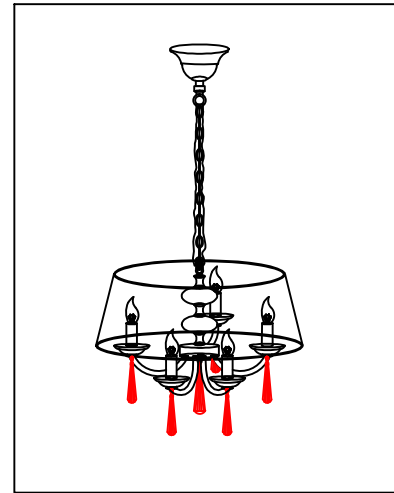
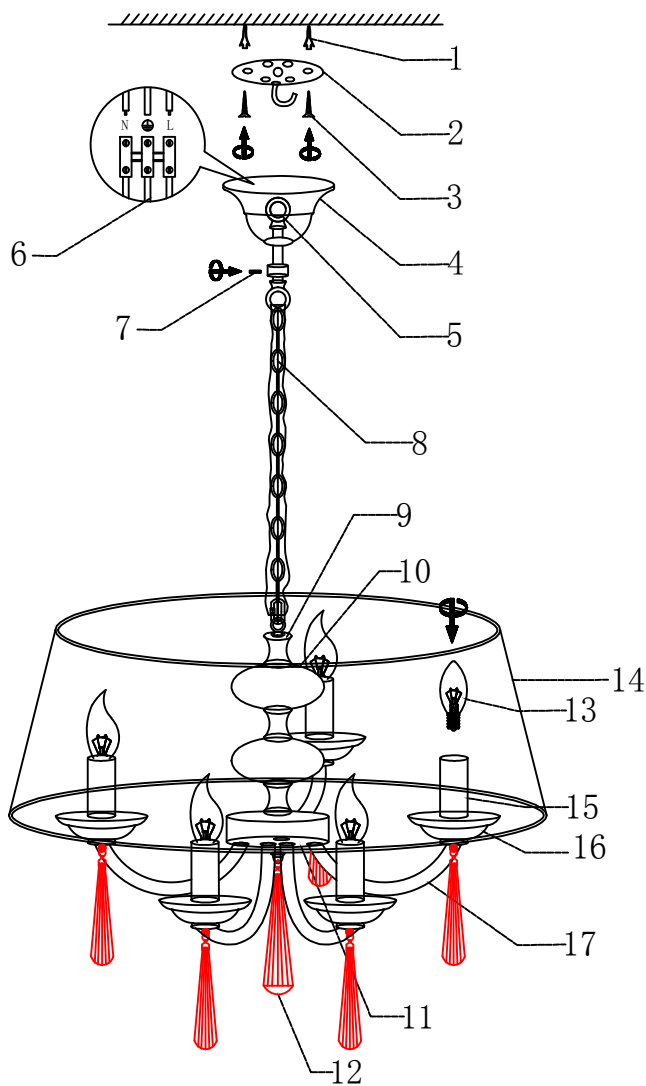


ENGLISH

Specification of installation

In order to ensure safety use, please notice the following items:

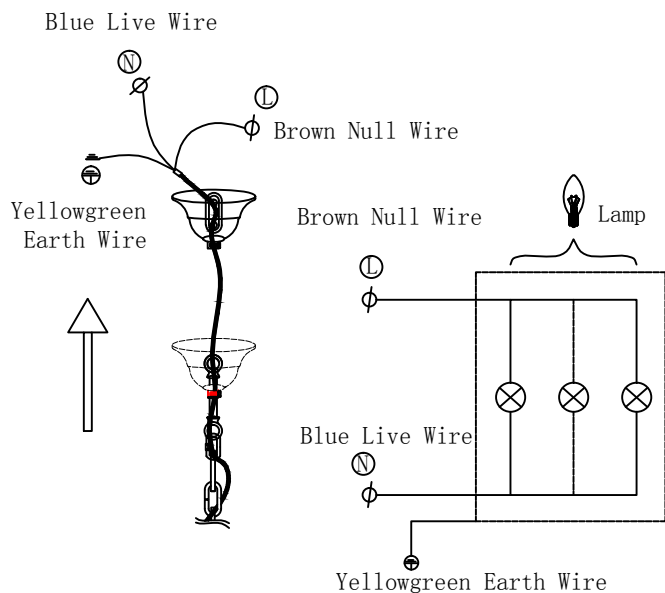
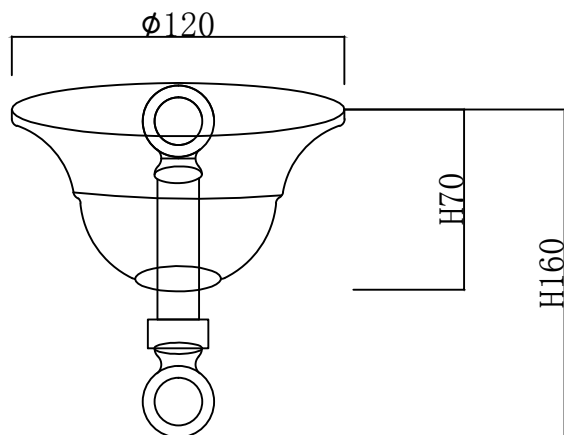
- Read and understand the whole specification.
- Suitable for the use of 220~240V and 50~60HZ.
- Please wear gloves as installment and avoid rot on the surface of plating.
- Must be installed on the fixed places and be checked annually.
- please turn off the lighting source by soft cloth as cleaning prohibited to use of rotted detergent.
- please connect with the local sales service center when there are any abnormality.



- 1 Wall anchor
2 Mounting
3 Self-tapping screw
4 Canopy
5 Ring
6 Terminal
7 Screw
8 Chain
9 Metal plate
10 Crystal ball
11 Lamp bone
12 Crystal
13 E14 bulb
14 Shade
15 Waterpipe
16 Crystal plate
17 Arm

Product coding: LIVING SP5

CEILING PAN SIZE:



FIXTURE SIZE:

