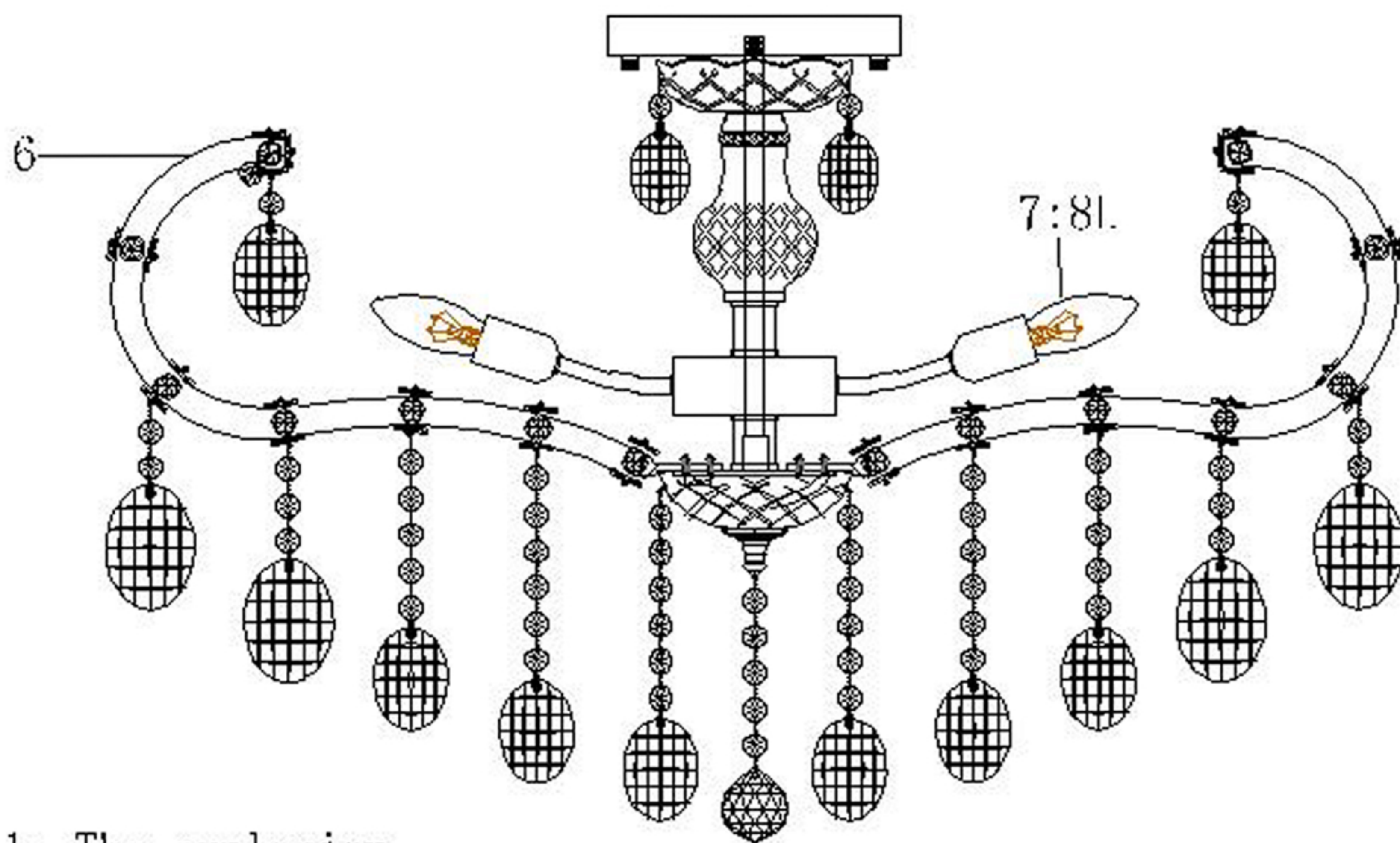
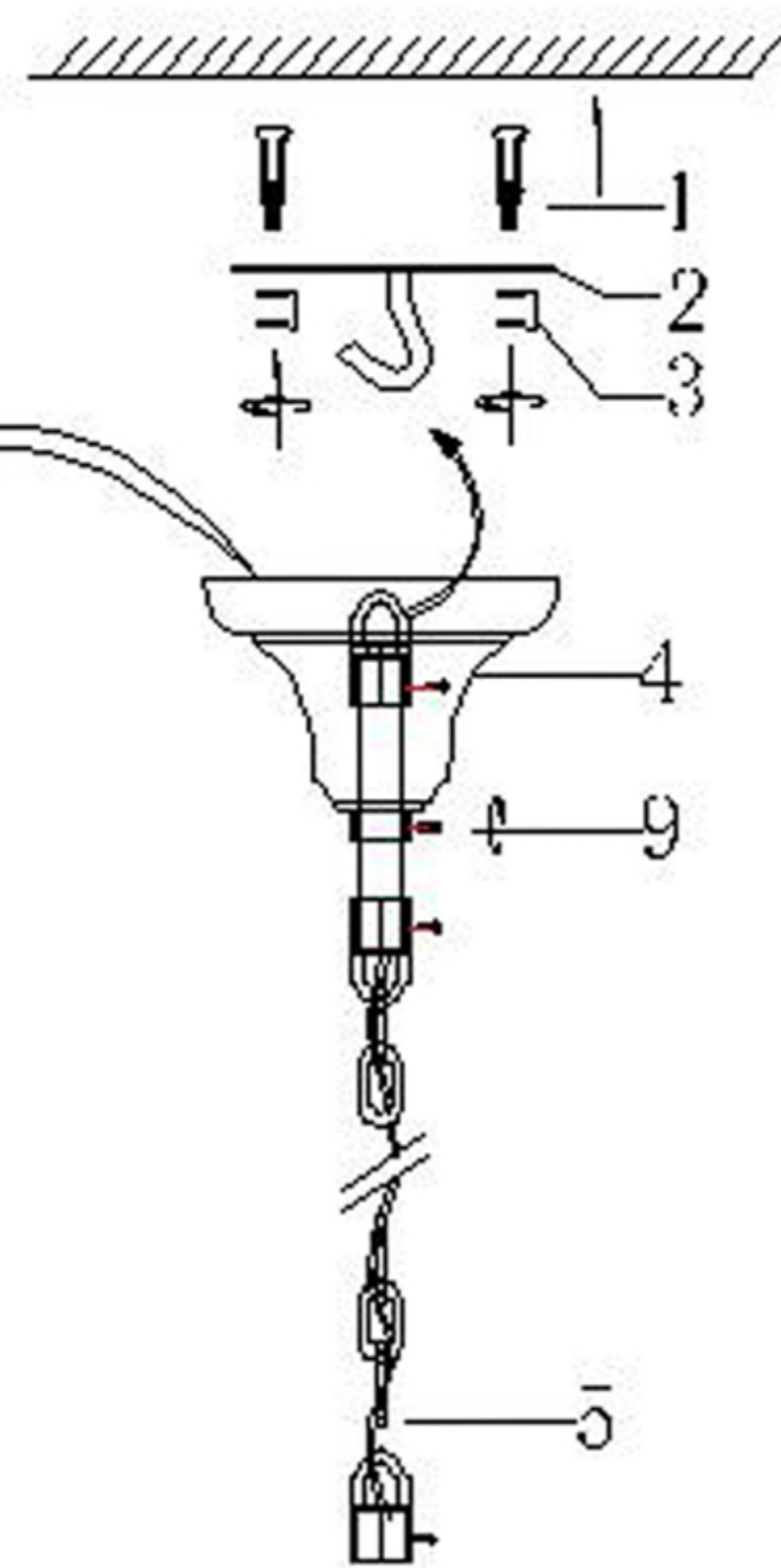
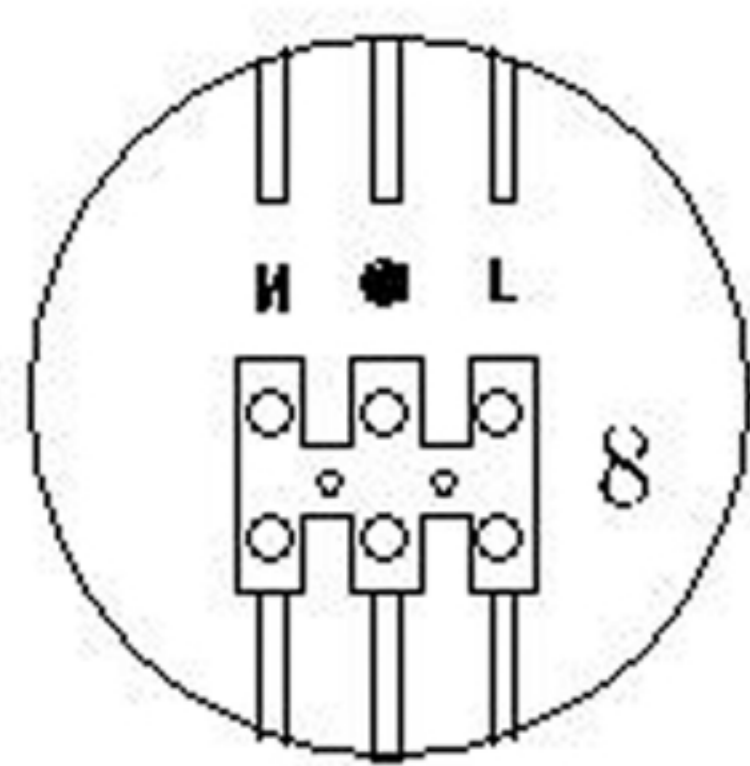
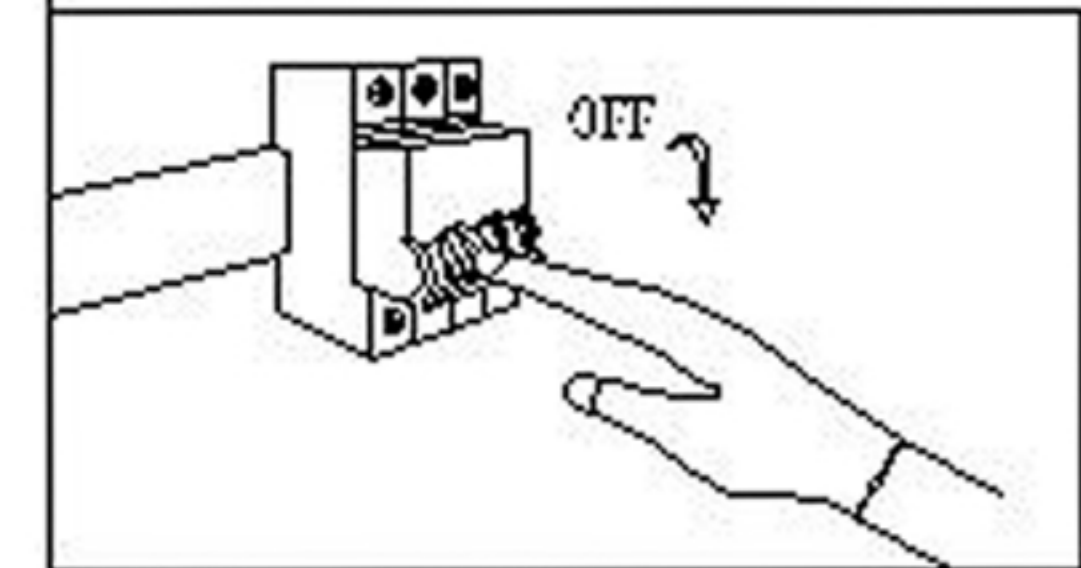


Specification of installation

In order to ensure safety use, please notice the following items:

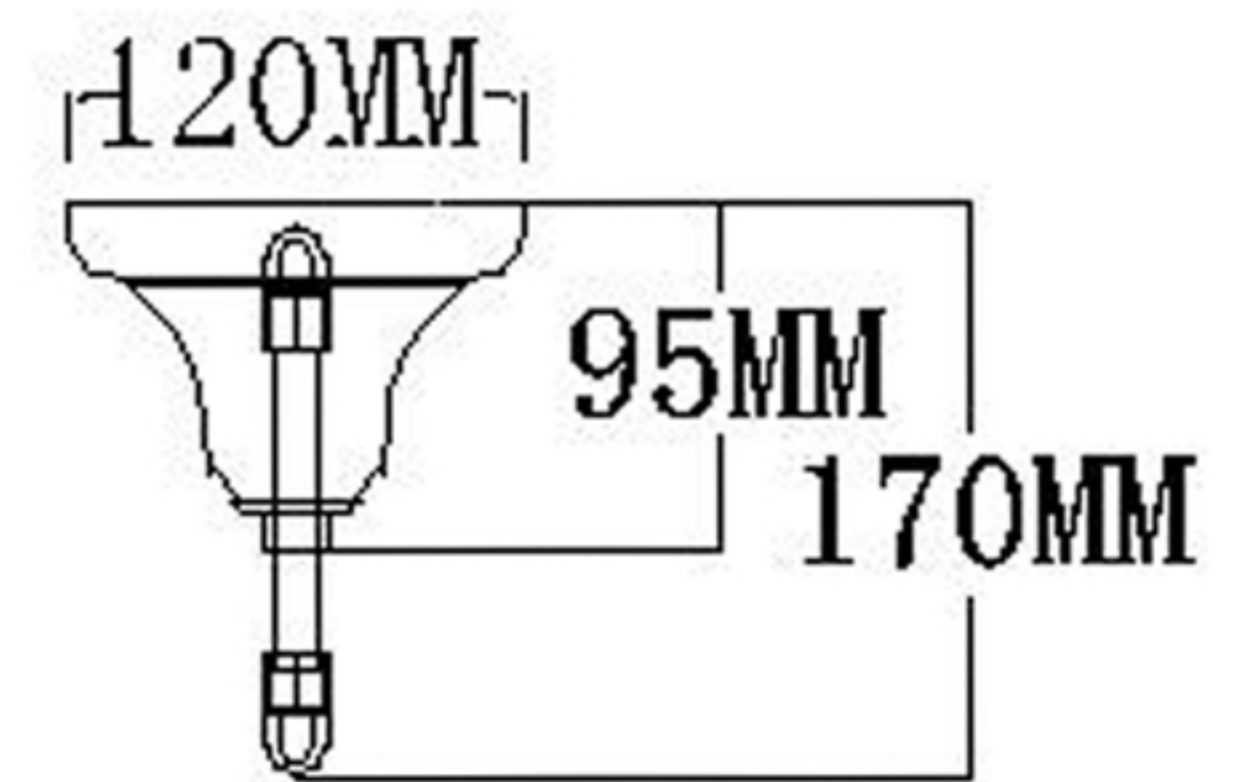
- .Read and understand the whole Specification.
- .Suitable for the use of 220`240v and 50`60Hz.
- .Please wear gloves as installment and avoid rot on the surface of plating.
- .Must be installed on the fixed places and be checked annually.
- .Please turn off the lighting source by soft cloth as cleaning prohibited to use of rotted detergent.
- .Please connect with the local sales service centhr when there are any abnormality.



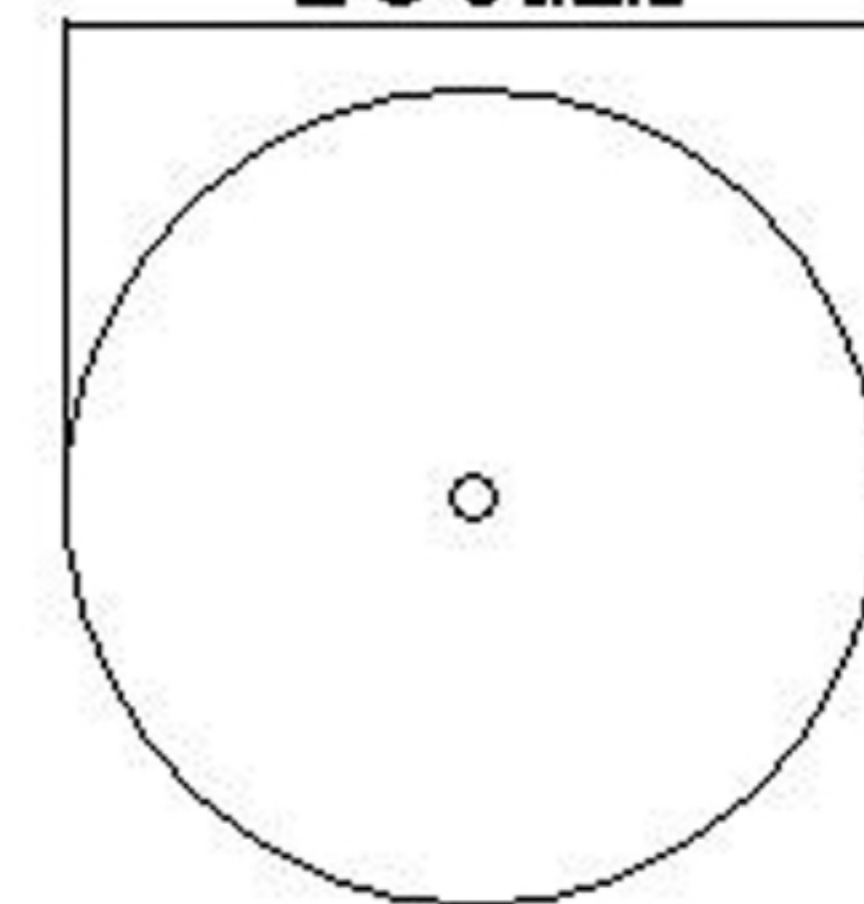
- 1: The explosion
- 2: Hangs Taiwan
- 3: Gasket, Nut
- 4: Bell, Derrick
- 5: Chain hoist
- 6: Lamp (Article 10 the lamp arm)
- 7: E14 bulb
- 8: Terminal
- 9: Screw

Product coding: HOLLYWOOD SP-PL8 GOLD D800

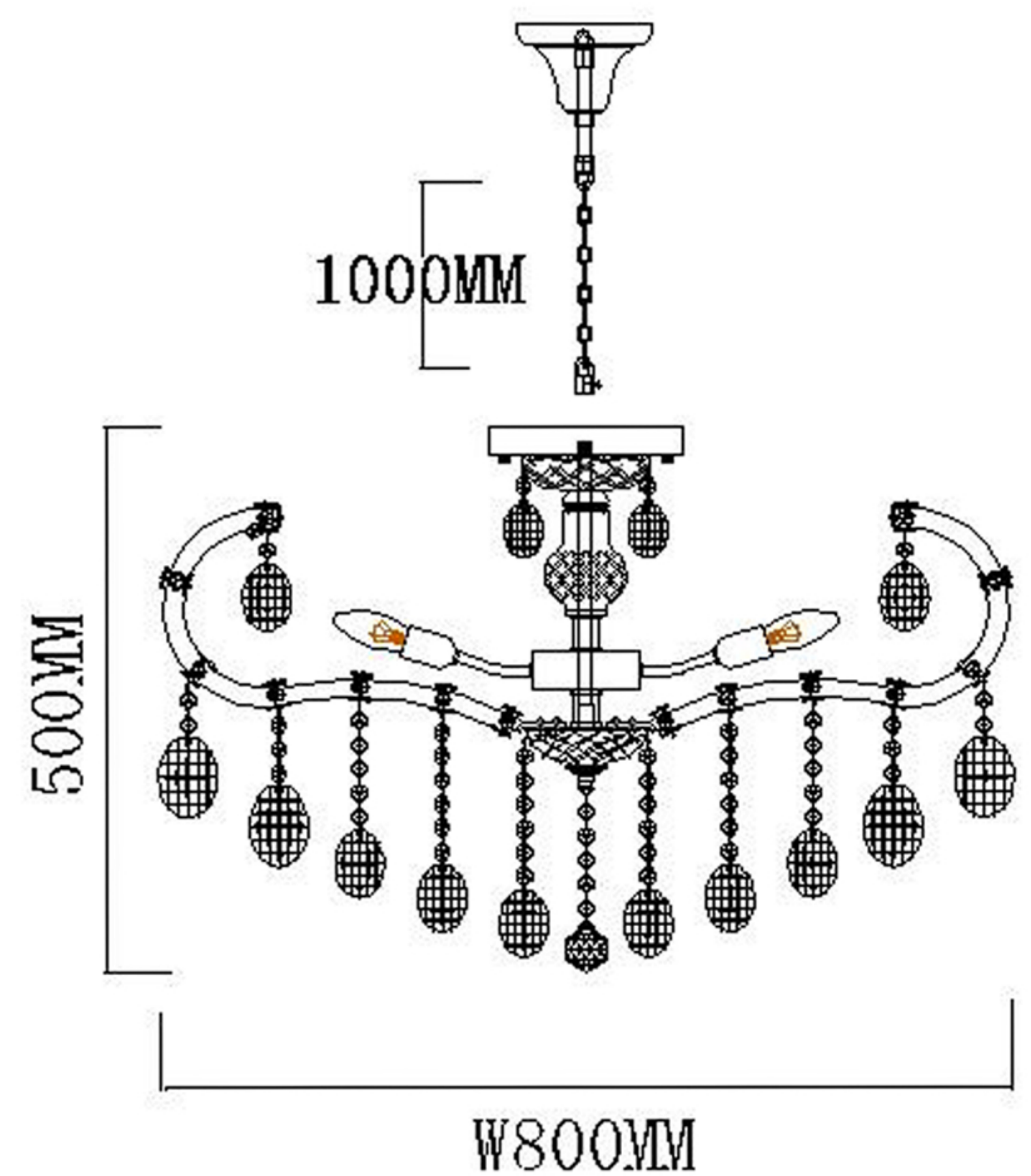
CEILING PAN SIZE



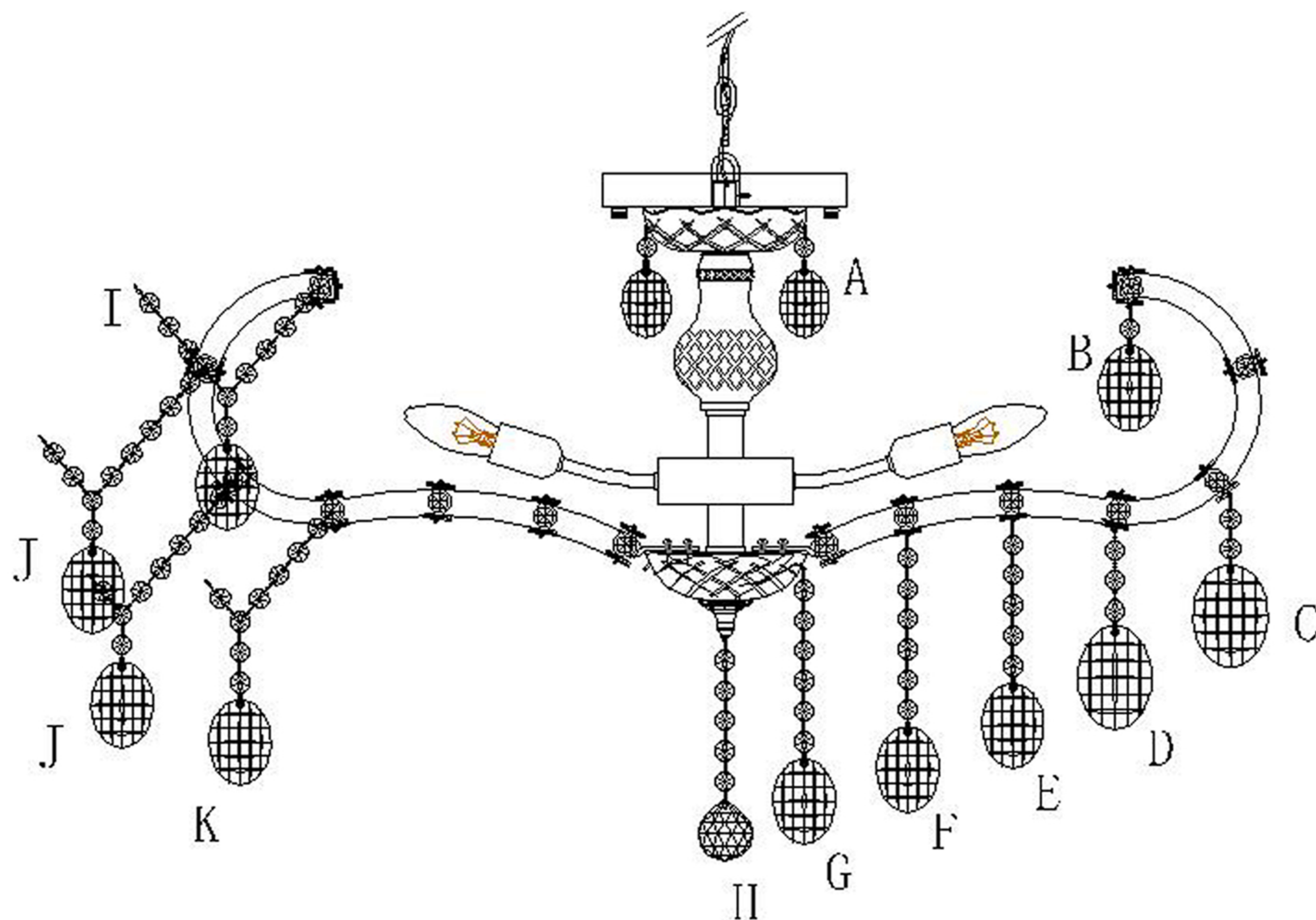
180MM

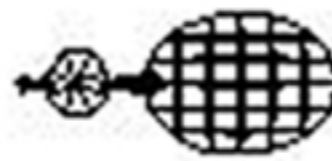








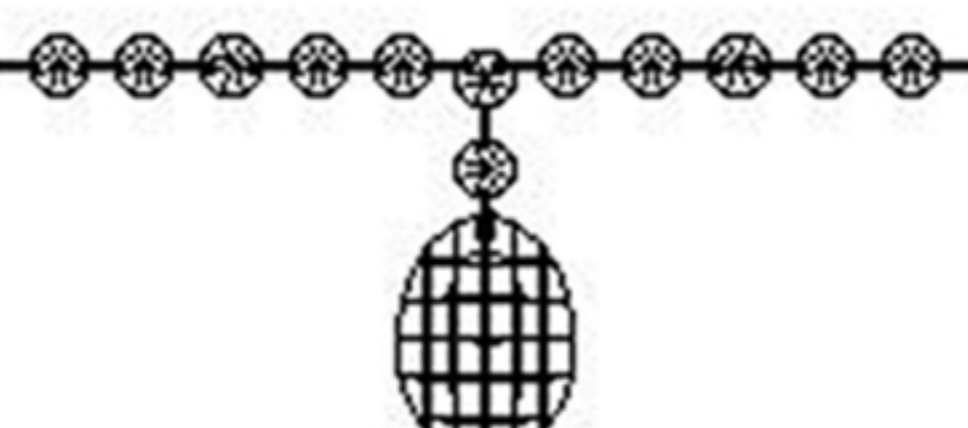



FIXTURE SIZE:



Crystal Equipped MODEL NO. HOLLYWOOD SP-PL8 GOLD D800



A		14# 1'2"	4PCS
B		14#/1-2.5"	10PCS
C		14# 2'3"	10PCS
D		14# 3'3"	10PCS
E		14#/5-2.5"	10PCS
F		14#/6-2.5"	10PCS
G		14#/6-2.5"	5PCS
H		14# 5'10#	1PC
I		14# 9+1-2.5"	10PCS
J		14#/11+1-2.5"	20PCS
K		14#/9+2-2.5"	10PCS



2" : 4PCS

2.5" : 75PCS

3" : 20PCS



: 1PC



100PCS