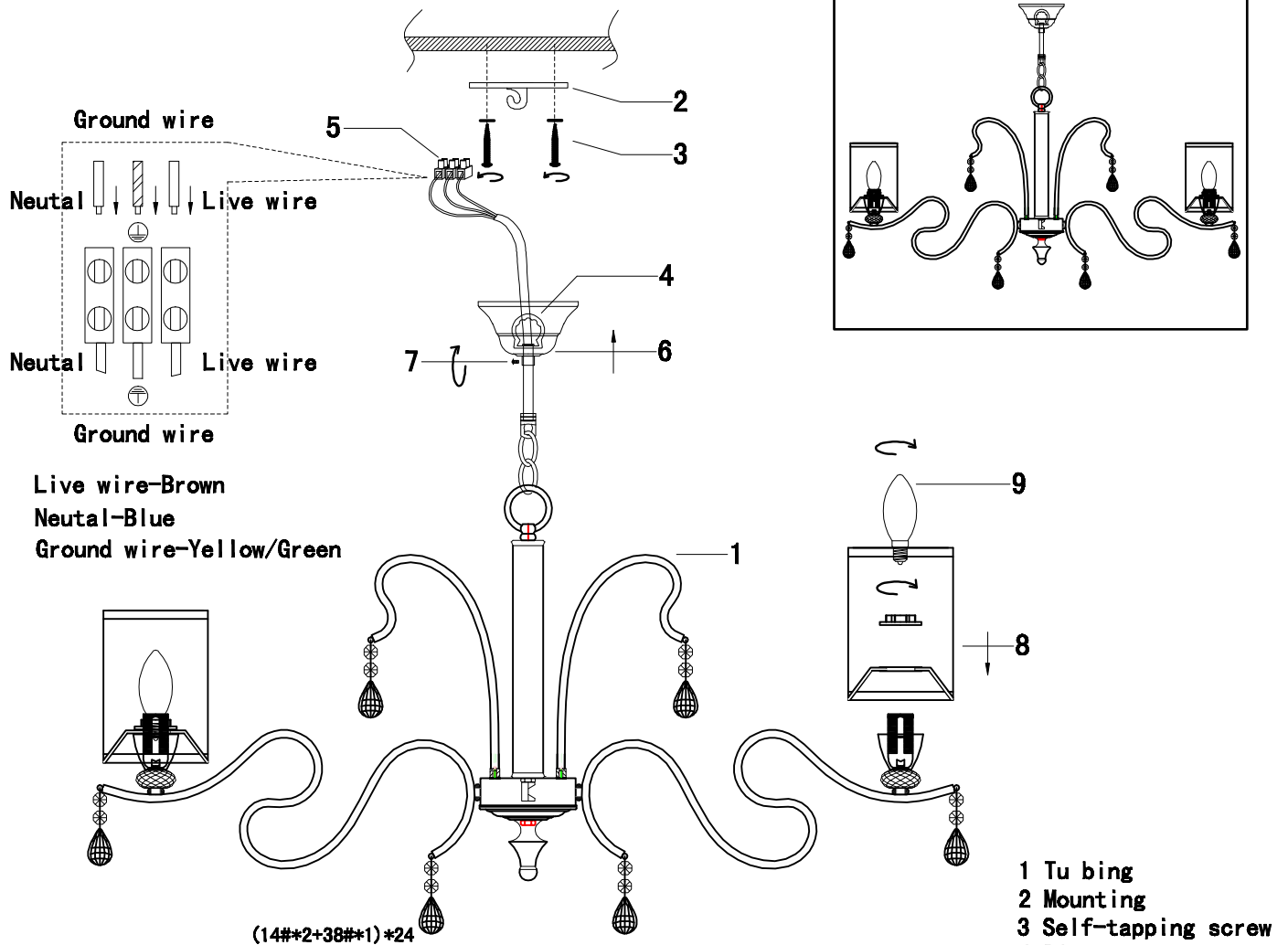


**ENGLISH**

**Specification of installation**

In order to ensure safety use, please notice the following items:

- Read and understand the whole Specification.
- Suitable for the use of 220~240V and 50~60Hz.
- Please wear gloves as installment and avoid rot on the surface of plating.
- Must be installed on the fixed places and be checked annually.
- Please turn off the lighting source by soft cloth as cleaning prohibited to use of rotted detergent.
- Please connect with the local sales service center when there are any abnormality.

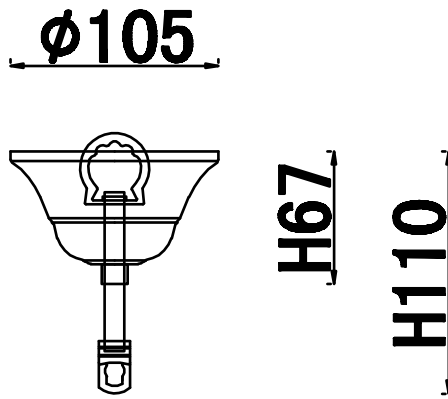


- 1 Tu bing
- 2 Mounting
- 3 Self-tapping screw
- 4 Ring
- 5 Terminal
- 6 Canopy
- 7 Screw
- 8 Cover
- 9 E14 bulb

- 14#\*48pcs ⊗ — 10 Crystal
- 38#\*24pcs ⊕ — 11 Crystal

**Product coding:ELISA SP8**

# BASE SIZE:



# FIXTURE SIZE:

