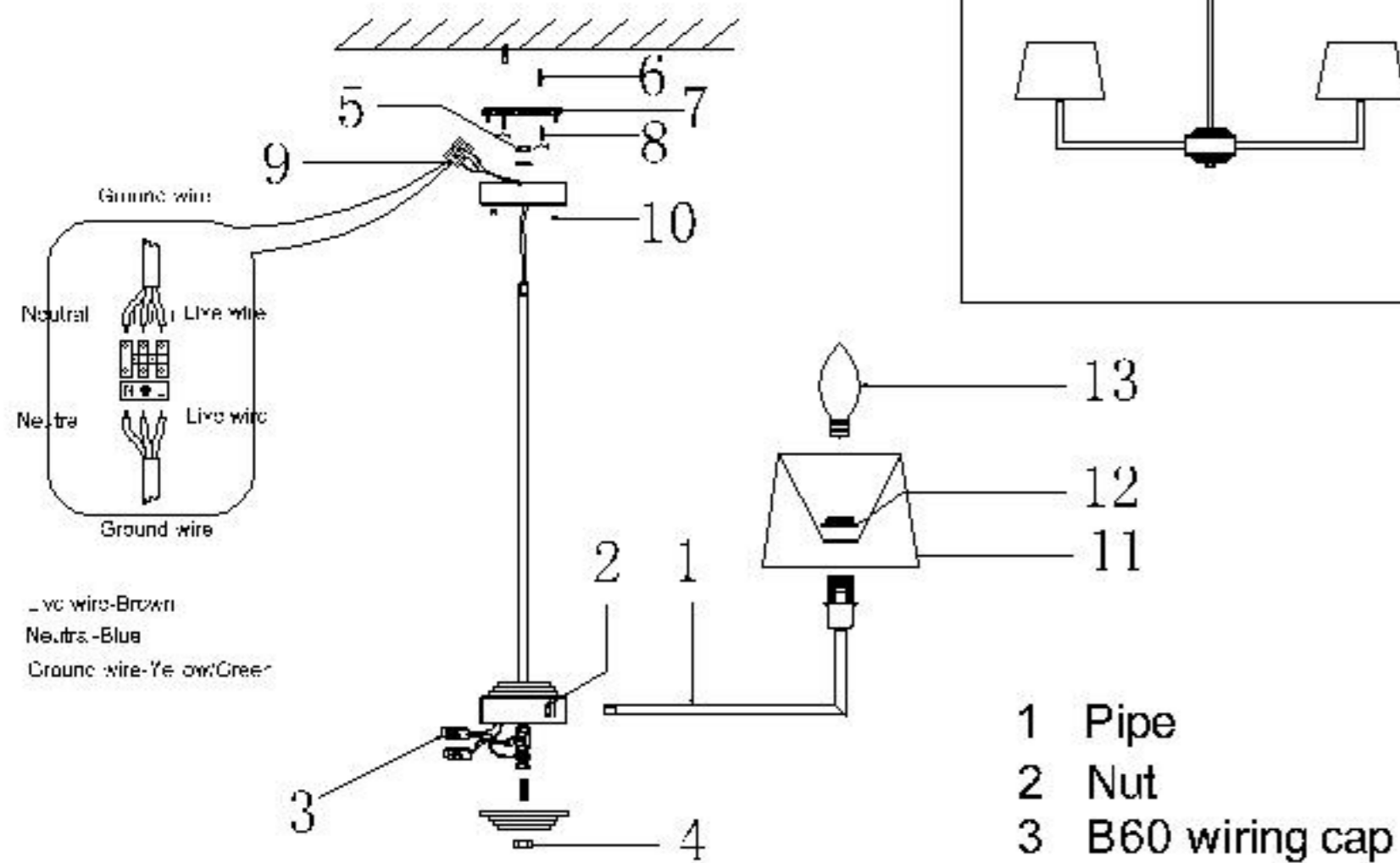
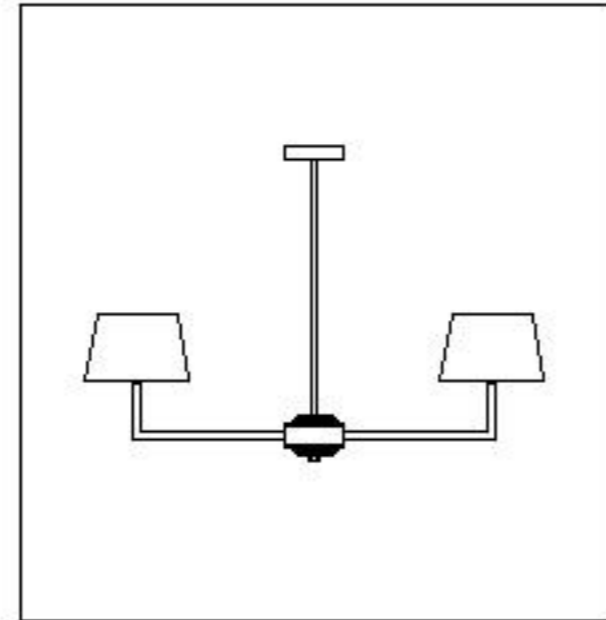


## ENGLISH

### Specification of installation

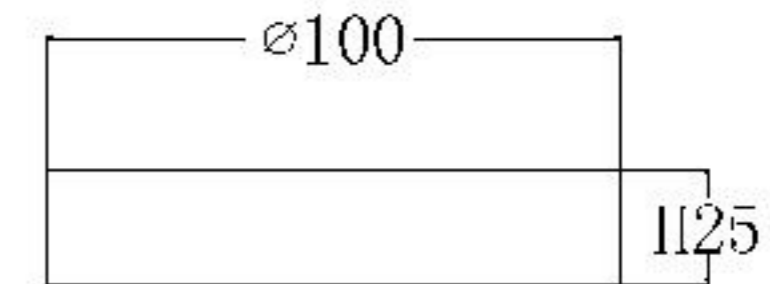
- In order to ensure safety use, please notice the following items
- Read and understand the whole Specification.
- Suitable for the use of 220-240V and 50-60HZ.
- Please wear gloves as installment and avoid rot on the surface of plating.
- Must be installed on the fixed places and be checked annually.
- Please turn off the lighting source by soft cloth as cleaning prohibited to use of rotted detergent.
- Please connect with the local sales service center when there are any abnormality.



- 1 Pipe
- 2 Nut
- 3 B60 wiring cap
- 4 Nut
- 5 Nut
- 6 Wall anchor
- 7 Hangs Taiwan
- 8 Tapping screw
- 9 Terminal
- 10 Nut
- 11 Shade
- 12 Rings
- 13 E14 bulb

Product coding: CONTE SP6

## BASE SIZE



## FIXTURE SIZE

