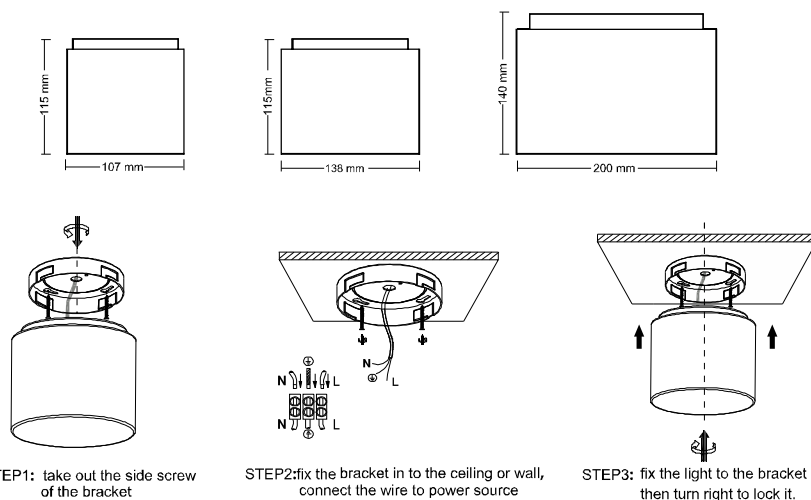


Ceiling light installation instruction

IP20   

- 1- Please read this manual carefully before using the product.
- 2- The manufacturer will not be held responsible for improper usage or modifications of the product.
- 3- Indoor use only.
- 4- Please turn off the power supply before changing the lamp or connection.
- 5- The luminaire shall be installed by a qualified electrician and wired in accordance with the latest IEE electrical regulations or the national requirements.
- 6- The luminaire shall not be covered with thermal insulation or similar material under any circumstance.
- 7- Do not touch the lamp source or heating parts when the power is switched on or few minutes after switching off.
- 8- Do not place rapidly flammable material under the luminaire.
- 9- Do not use chemical solvent to clean the luminaire, it may damage the surface.
- 10- Products are advised to use under stabilised voltage power supply only.



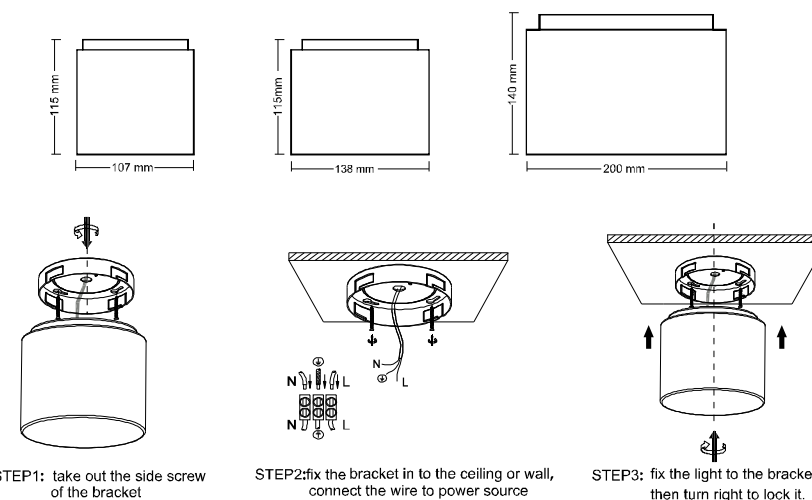
Technical parameters:

Item No.:	CLT 522C117	CLT 522C138	CLT 522C200
Power:	10W	15W	30W
Size:	Φ 117x115mm	Φ 138x115mm	Φ 200x140mm
Hole cut:	Surface	Surface	Surface

Ceiling light installation instruction

IP20   

- 1- Please read this manual carefully before using the product.
- 2- The manufacturer will not be held responsible for improper usage or modifications of the product.
- 3- Indoor use only.
- 4- Please turn off the power supply before changing the lamp or connection.
- 5- The luminaire shall be installed by a qualified electrician and wired in accordance with the latest IEE electrical regulations or the national requirements.
- 6- The luminaire shall not be covered with thermal insulation or similar material under any circumstance.
- 7- Do not touch the lamp source or heating parts when the power is switched on or few minutes after switching off.
- 8- Do not place rapidly flammable material under the luminaire.
- 9- Do not use chemical solvent to clean the luminaire, it may damage the surface.
- 10- Products are advised to use under stabilised voltage power supply only.



Technical parameters:

Item No.:	CLT 522C117	CLT 522C138	CLT 522C200
Power:	10W	15W	30W
Size:	Φ 117x115mm	Φ 138x115mm	Φ 200x140mm
Hole cut:	Surface	Surface	Surface