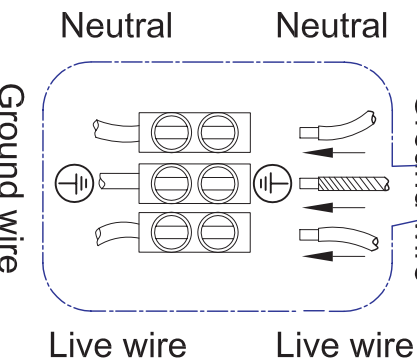
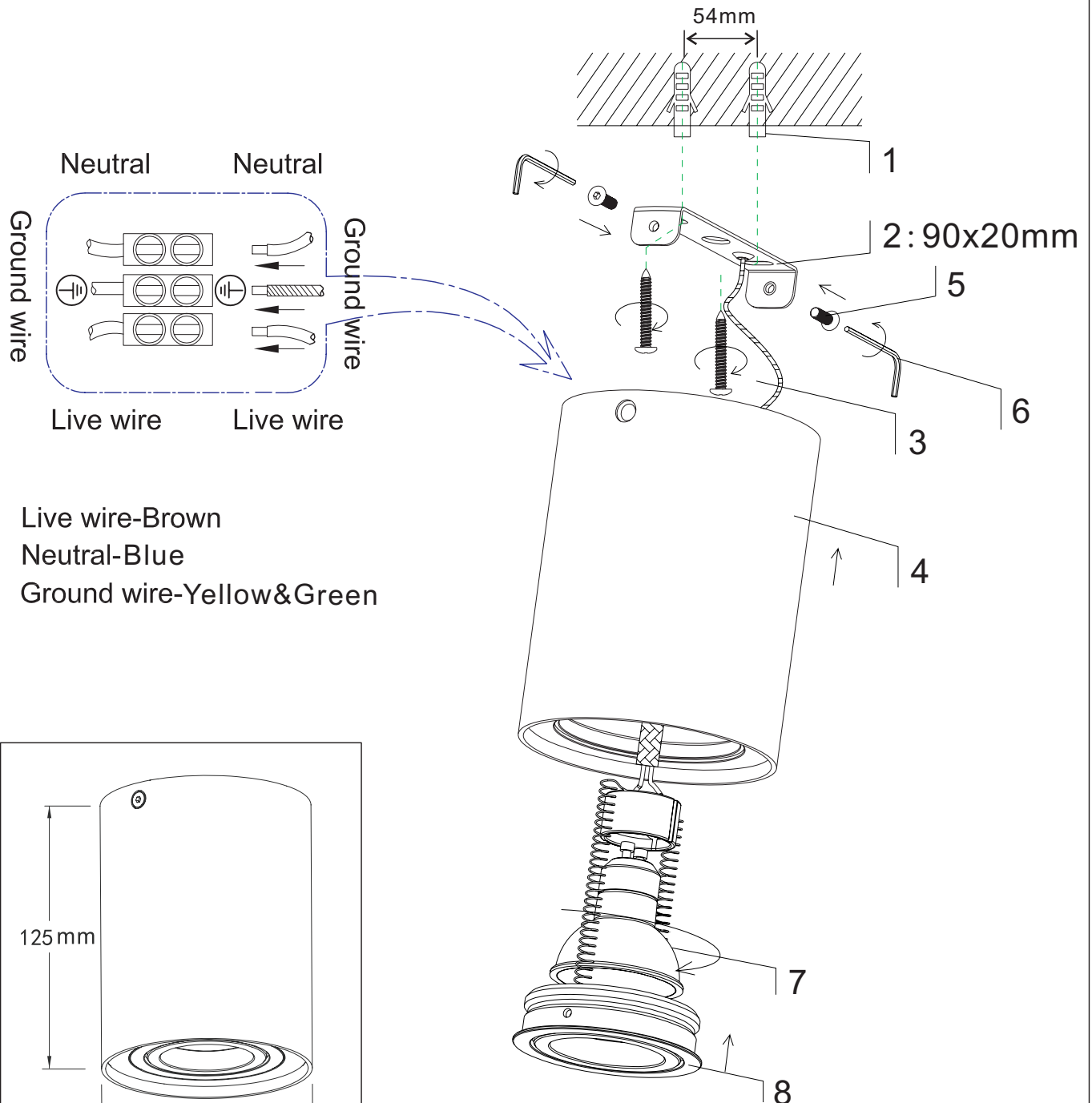


ENGLISH

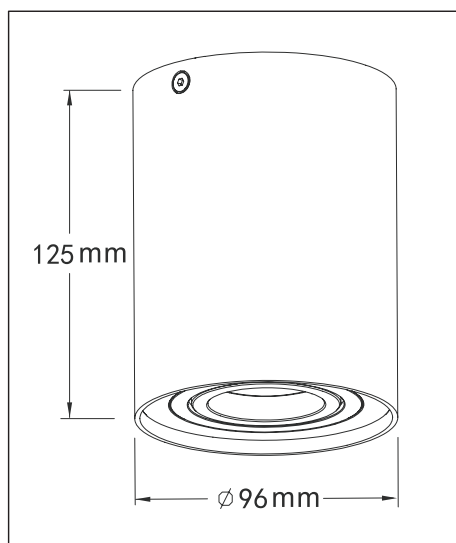
Specification of installation

In order to ensure safety use, please notice the following items:

- Read and understand the whole Specification.
- Suitable for the use of 220~240V and 50~60Hz.
- Please wear gloves as installment and avoid rot on the surface of plating.
- Must be installed on the fixed places and be checked annually.
- Please turn off the lighting source by soft cloth as cleaning prohibited to use of rotted detergent.
- Please connect with the local sales service center when there are any abnormality.



Live wire-Brown
Neutral-Blue
Ground wire-Yellow&Green



Product coding: CLT 410C WH
CLT 410C GR
CLT 410C AL

- 1 Wall anchor
2 Mounting
3 Self-tapping screw
4 Lamp body
5 Screw
6 Tooling
7 GU10 bulb
8 Inner ring