

Item NO. : CLT 021 IP54

INPUT : 220-240 ~ 50/60Hz CLASS I	⚠
LAMP-HOUSE : GU10-35W (MAX. )	CE
MATERIAL : ALUMINIUM	

### INSTALLATION INSTRUCTION

1. Before installing, make sure the power supply is switched off.
2. Follow the steps as the figure for installation or replacement of bulb

Step:

- A. after holing, pull out the wires.
- B. fix the bracket to the wall with screws.
- C. connect the wires to the terminal block.
- D. fix the lamp body to the base with screws.
- E. insert the bulb with gasket to the lamp body.
- F. secure the bulb with lamp shade by twist in clockwise.

3. After finishing every step, tighten the screws, have the fixture fixed, and then connect the power supply.

### CLEANING INSTRUCTION

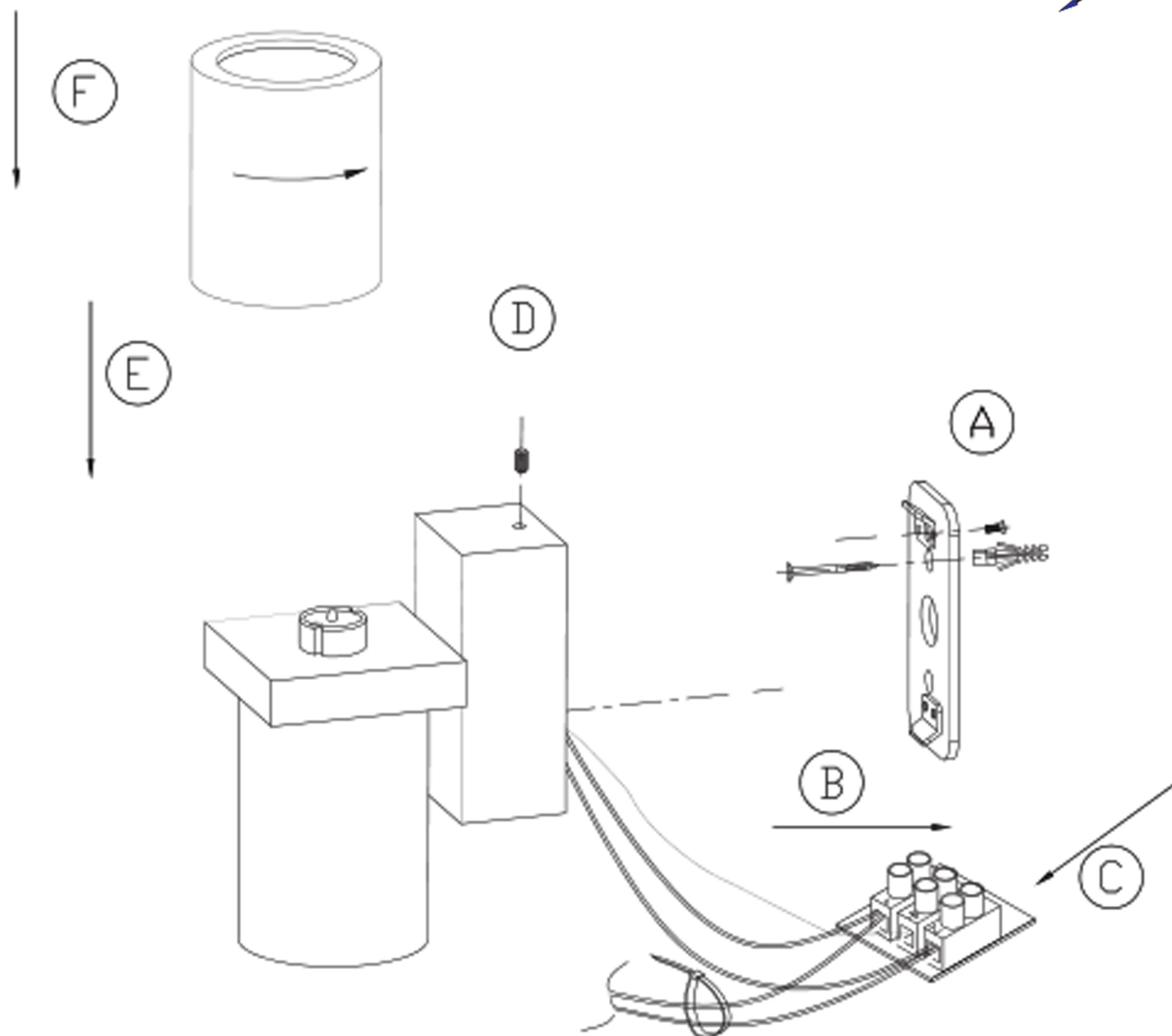
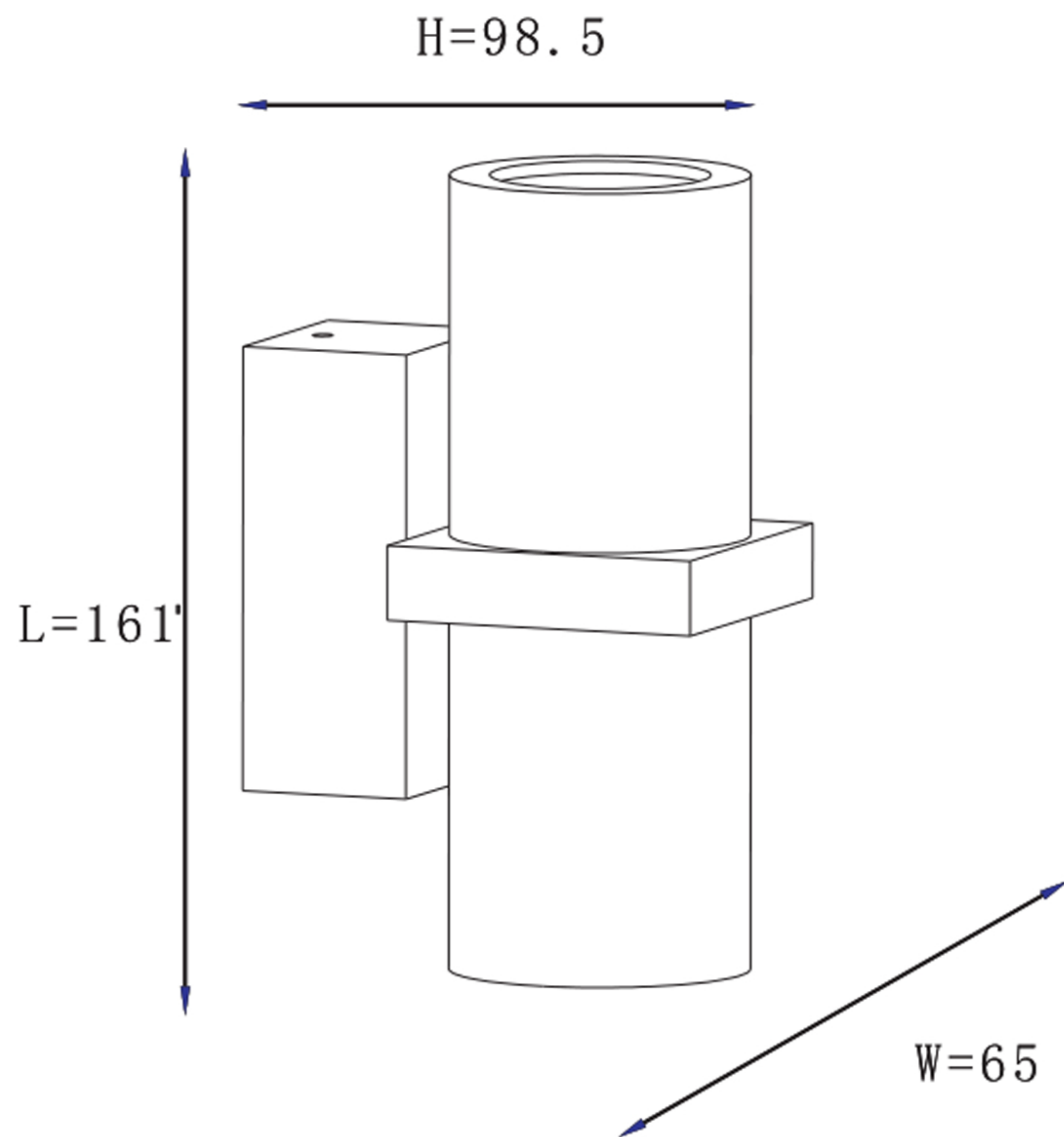
1. Before cleaning, ensure that the power supply is switched off.
2. Use only a soft cloth to clean the lamp, dampened with mild cleanser if needed for resistant dirt.
3. Warning: do not use alcohol or other solvents.

### CAUTION:

While the lamp is working, the surface of it is hot!  
Please do not touch the fixture within an hour after the power supply has been switched off.



⚠ CAUTION: WHILE THE LAMP IS WORKING, THE SURFACE OF IT IS VERY HOT, PLEASE DO NOT TOUCH!



Item NO. : CLT 021 IP54