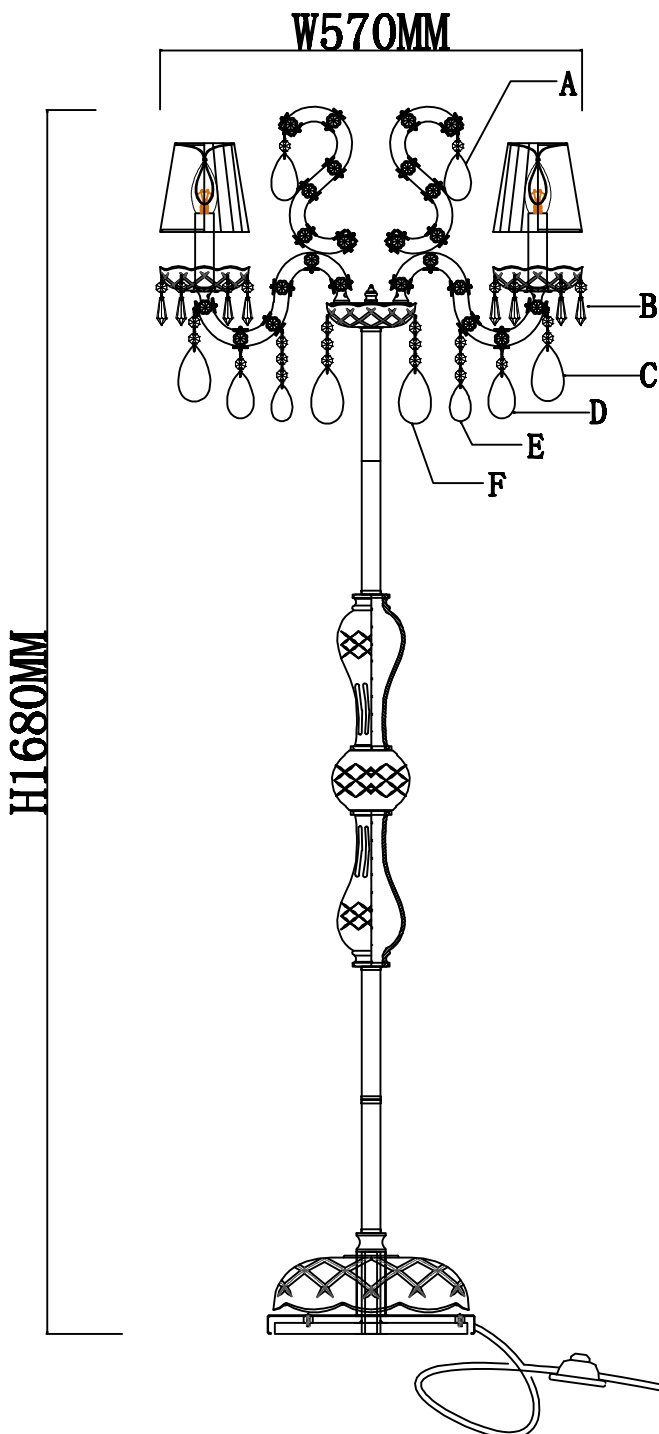


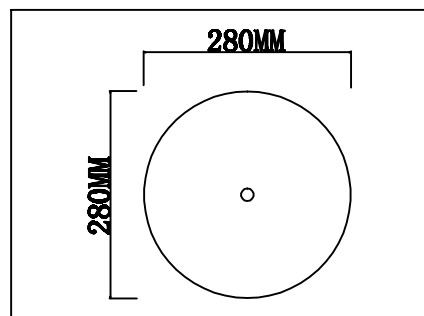
Specification of installation

In order to ensure safety use, please notice the following items:

- .Read and understand the whole Specification.
- .Suitable for the use of 220~240v and 50~60Hz.
- .Please wear gloves as installment and avoid rot on the surface of plating.
- .Must be installed on the fixed places and be checked annually.
- .Please turn off the lighting source by soft cloth as cleaning prohibited to use of rotted detergent.
- .Please connect with the local sales service centhr when there are any abnormality.



A		14#/1+2.5"	5PCS
B		14#/1+1.5"	40PCS
C		14#/2+3"	5PCS
D		14#/1+2.5"	5PCS
E		14#/3+2"	5PCS
F		14#/3+3"	5PCS



Product coding:BLANCA PT5