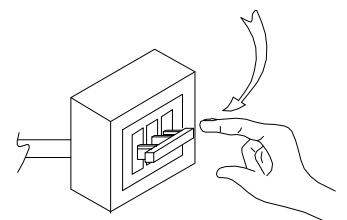
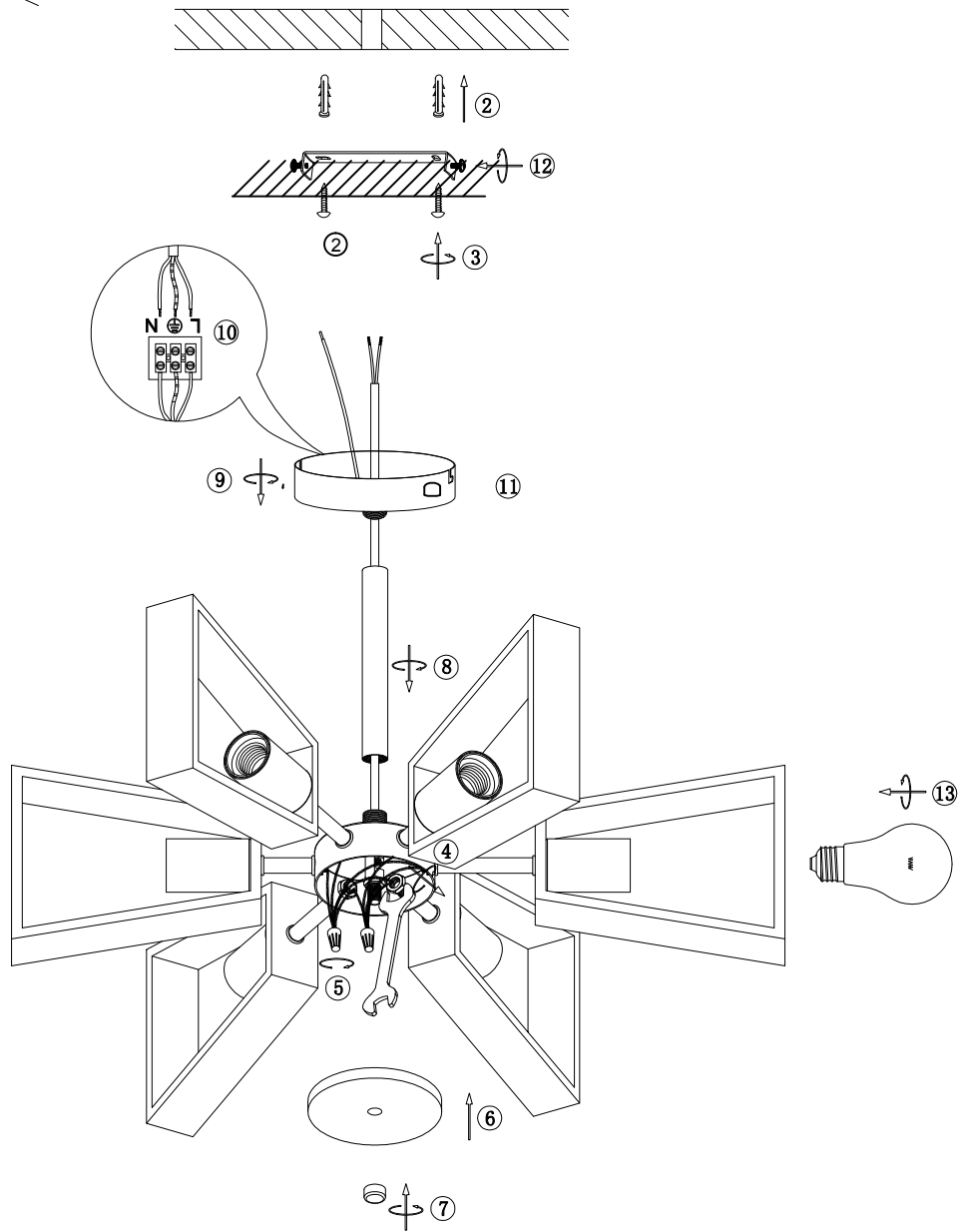


OFF ①



ON ⑭