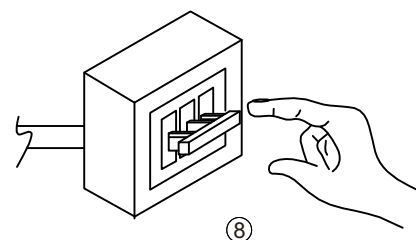
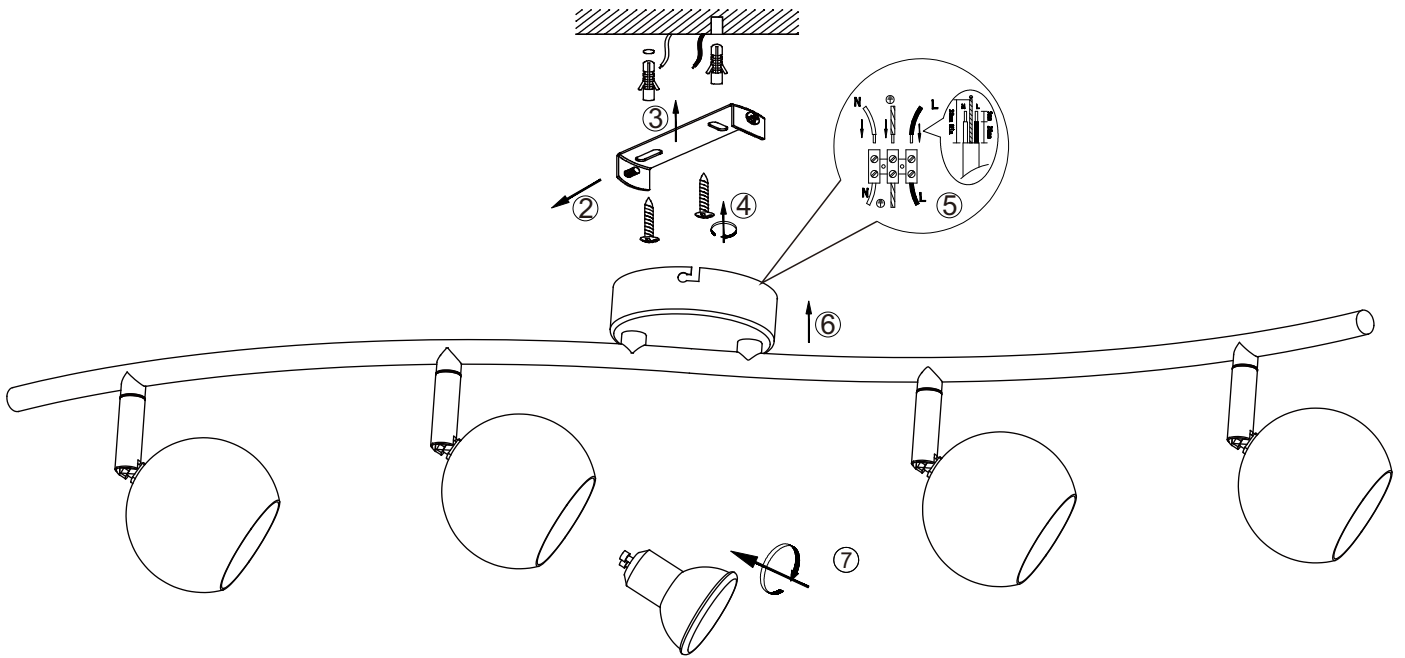


OFF



ON